

**MİMARİ KATALOG**  
**ARCHITECTURAL CATALOGUE**

**Alüminyum Kapı Pencere ve Giydirme Cephe Sistemleri**  
Aluminium Window Doors and Facade Systems

**RESCARA**



**RSG104**



MİMARİ KATALOG  
ARCHITECTURAL CATALOGUE

Alüminyum Kapı Pencere ve Giydirme Cephe Sistemleri  
Aluminium Window Doors and Facade Systems



Rescara Sistem Detayları  
Rescara System Details

# RSG104

PROFİLLER

PROFILES

01

02

03

04

05

06

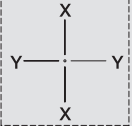
07

08

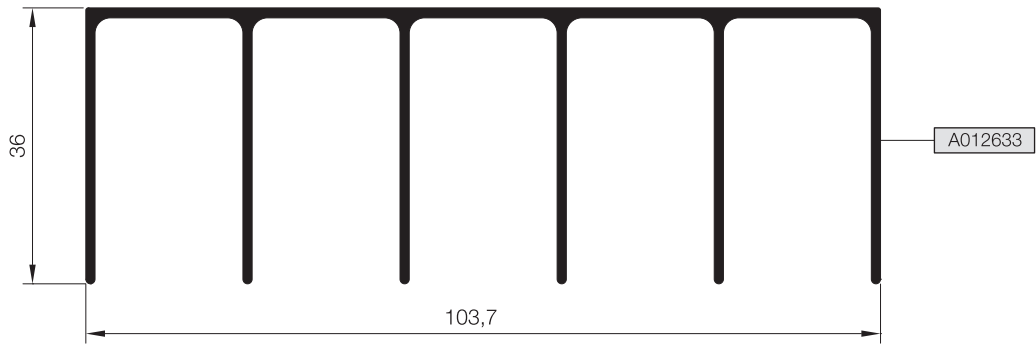
09

10

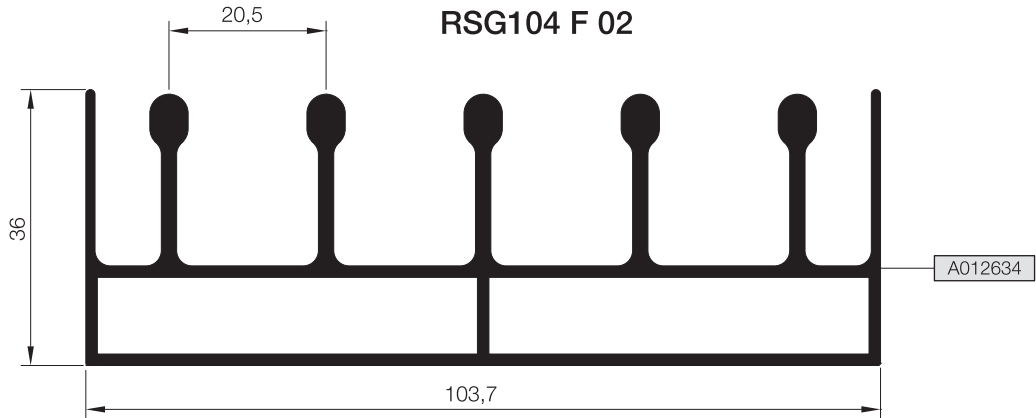


KOD / CODE	AĞIRLIK (kg/m) / WEIGHT	Jxx cm4	Jyy cm4	L m	
RSG104 F 01	1,063	43,378	5,387	6	
RSG104 F 02	1,966	76,885	9,388	6	
RSG104 F 03	1,119	44,501	2,845	6	

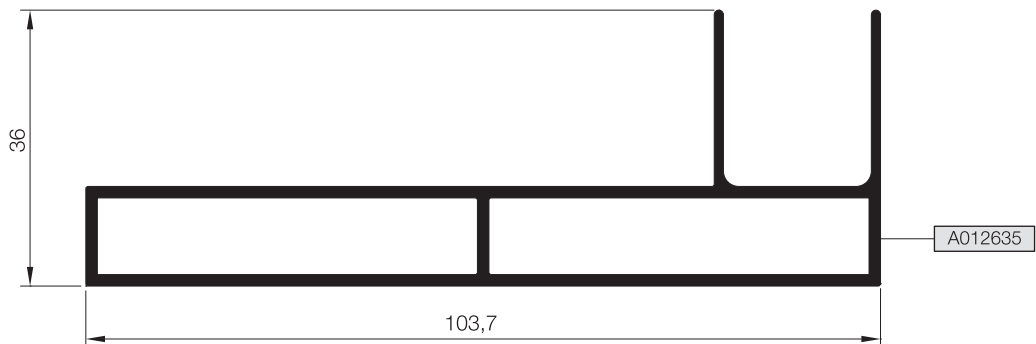
RSG104 F 01



RSG104 F 02



RSG104 F 03



01

02

03

04

05

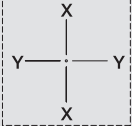
06

07

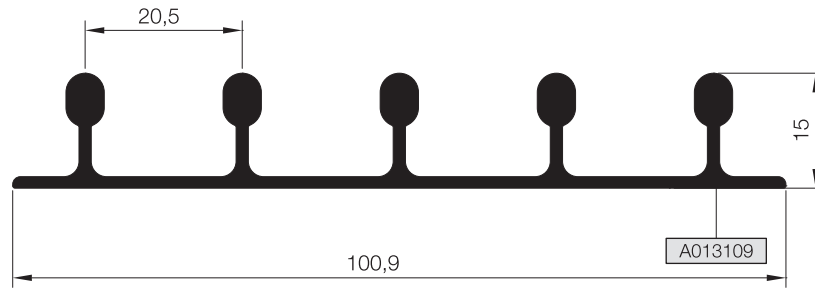
08

09

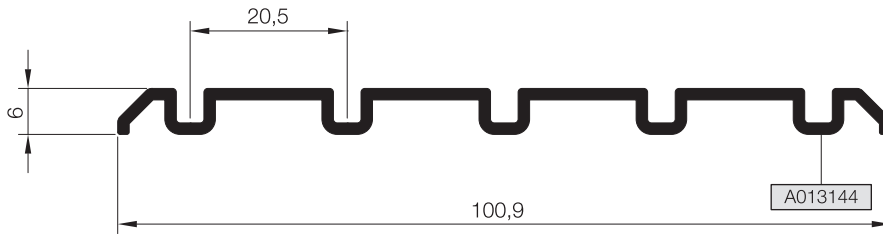
10

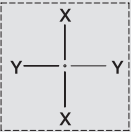
KOD / CODE	AĞIRLIK (kg/m) / WEIGHT	Jxx cm <sup>4</sup>	Jyy cm <sup>4</sup>	L m	
RSG104 F 04	0,976	30,332	0,954	6	
RSG104 F 05	0,589	19,501	0,075	6	

RSG104 F 04

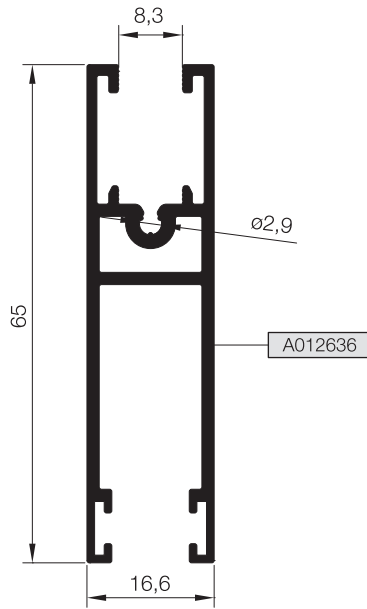


RSG104 F 05

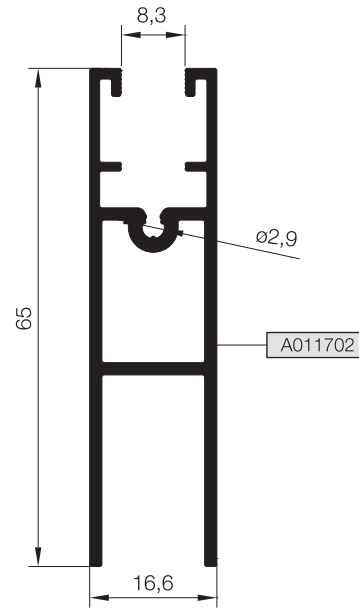


KOD / CODE	AĞIRLIK (kg/m) / WEIGHT	Jxx cm <sup>4</sup>	Jyy cm <sup>4</sup>	L m	
RSG104 V 01	0,756	1,252	8,996	6	
RSG104 V 03	0,743	1,253	8,750	6	
RSG104 A 01	0,140	0,137	0,057	6	
RSG104 A 02	0,188	0,154	0,293	6	
RSG104 A 03	0,291	0,373	0,993	6	
RSG104 A 04	0,210	0,644	0,421	6	

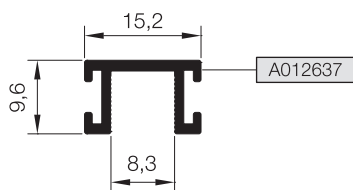
RSG104 V 01



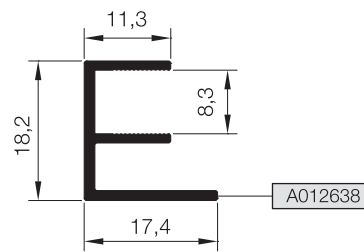
RSG104 V 03



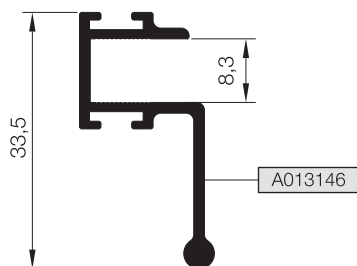
RSG104 A 01



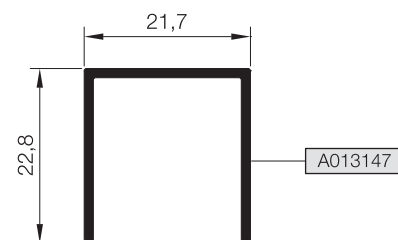
RSG104 A 02



RSG104 A 03



RSG104 A 04



01

02

03

04

05

06

07

08

09

10

# RSG104

## STOKTA BULUNAN SİSTEM PROFİLLERİNİN LİSTESİ (LIST OF SYSTEM PROFILES IN STOCK)

Nr		MIN. SİPARİŞ MİKTARI MIN. ORDER QUANTITY
RSG104 F 01	A012633	75 kg
RSG104 F 02	A012634	75 kg
RSG104 F 03	A012635	75 kg
RSG104 F 05	A013144	75 kg
RSG104 A 03	A013146	75 kg

\* STOKTA BULUNMAYAN TÜM PROFİLLER İÇİN MİNİMUM SİPARİŞ MİKTARI 300'KG'DİR.  
MINIMUM ORDER QUANTITY FOR ALL THE PROFILES THAT ARE NOT IN STOCK IS 300 KG.

01

02

03

04

05

06

07

08

09

10



MİMARİ KATALOG  
ARCHITECTURAL CATALOGUE

Alüminyum Kapı Pencere ve Giydirme Cephe Sistemleri  
Aluminium Window Doors and Facade Systems



Rescara Sistem Detayları  
Rescara System Details

# RSG104

DETAYLAR

DETAILS

01

02

03

04

05

06

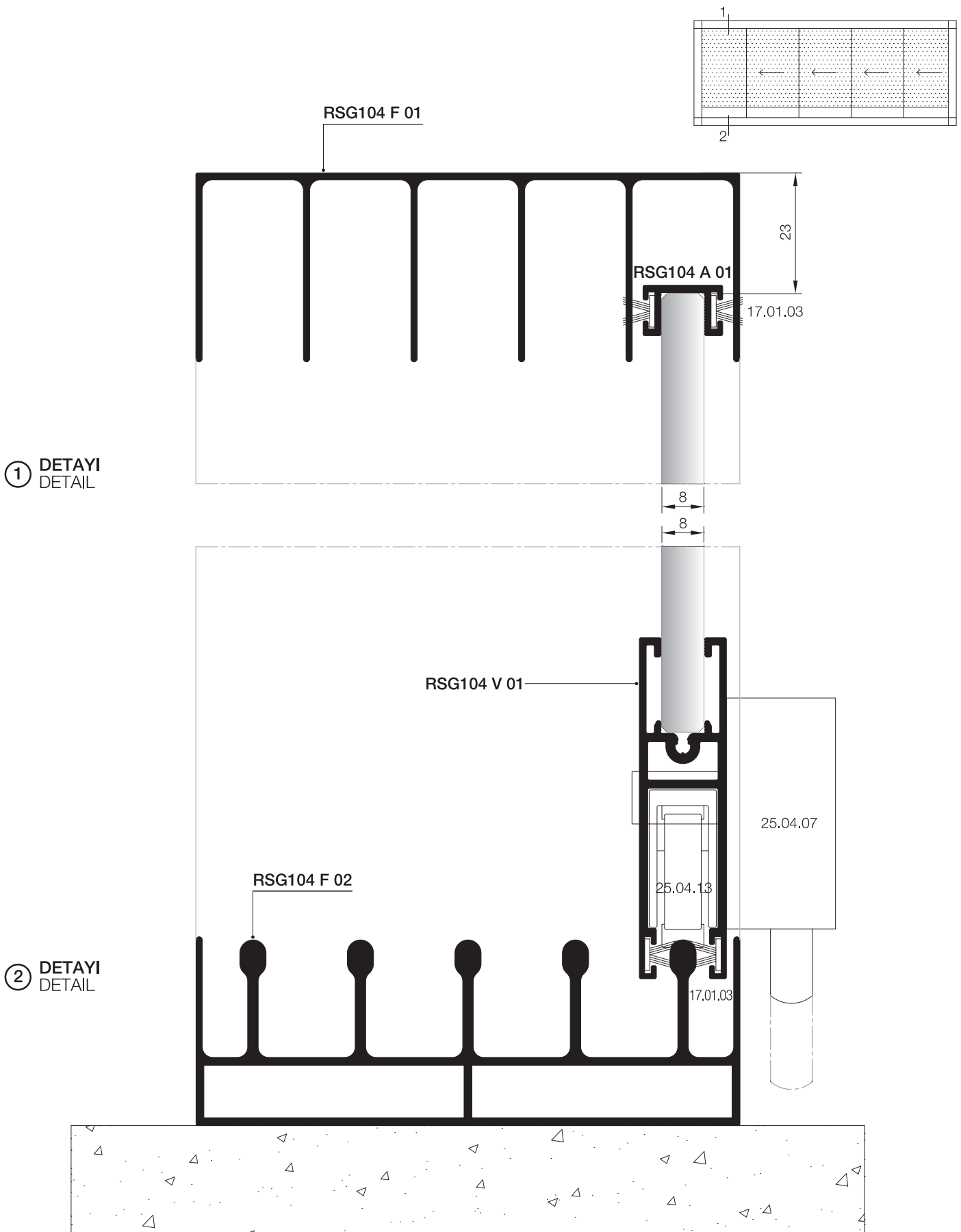
07

08

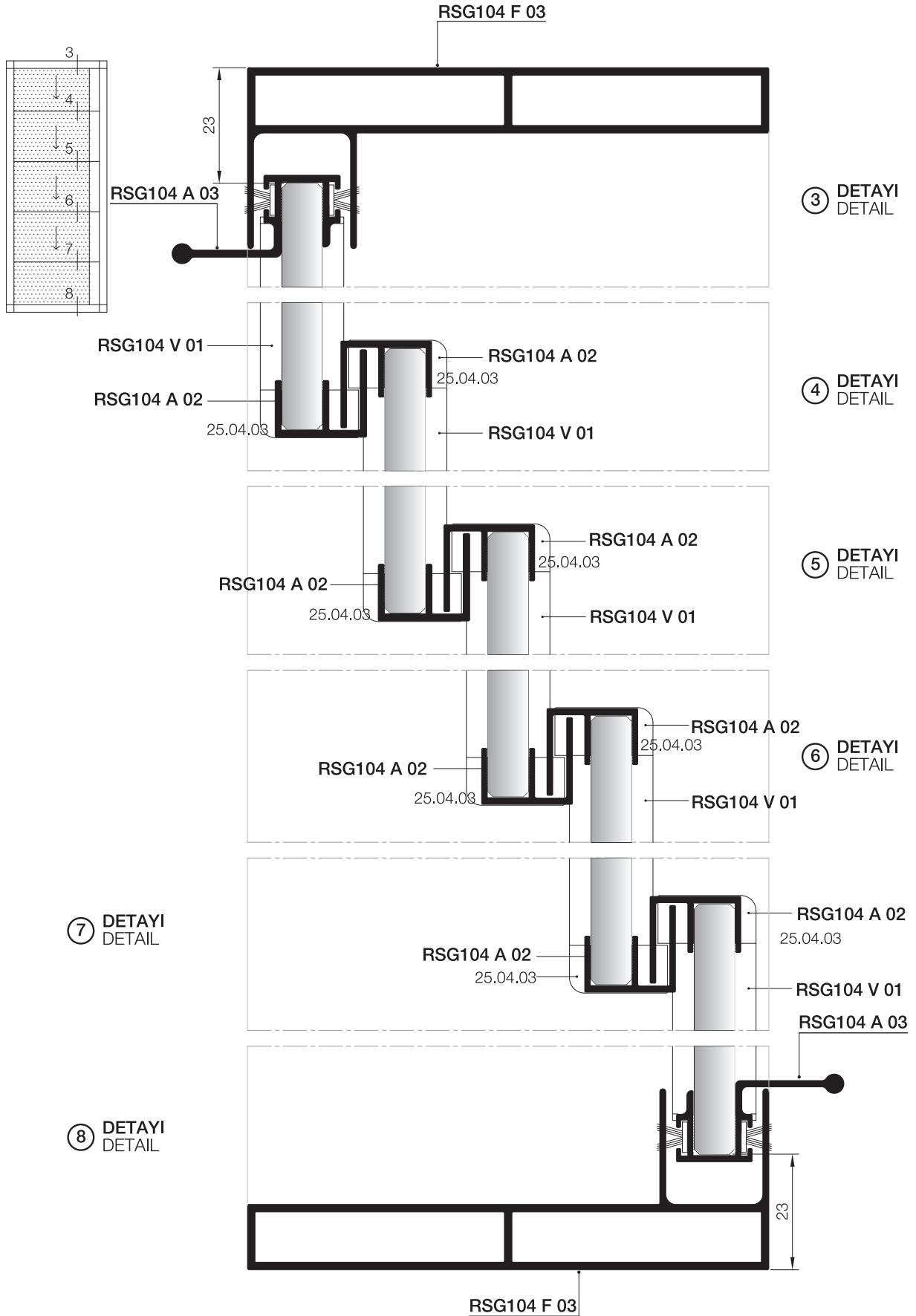
09

10

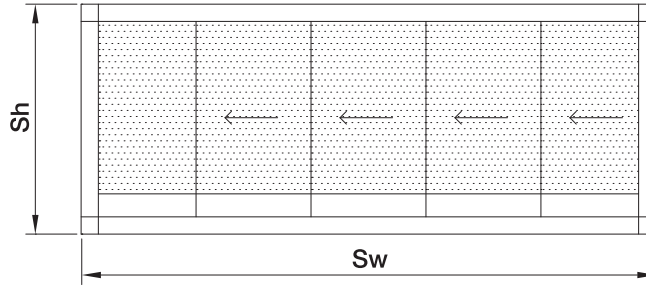




01
02
03
04
05
06
07
08
09
10



## ÜRETİM MANUFACTURE



### CAM EBATLARI

Cam Yüksekliği (Gh) (mm) = Sh-98

Cam Genişliği (Gw) (mm) =  $\frac{Sw+18}{5}$

### PROFİL KESİM ÖLÇÜLERİ

Üst ve Alt Kasa Profilleri (RSG104 F 01 ve F 02) (mm) = Sw - 72

Yan Kasa Profilleri (RSG104 F 03) (mm) = Sh - 72

Kanat Profili (RSG104 V 01) (mm) = Gw - 16

Dikme Profili (RSG104 A 03 ve A02) (mm) = Gh - 26

Üst Yatay Profili (RSG104 A 01) (mm) = Gw + 4

### GLASS DIMENSIONS

Glass height (Gh) (mm) = Sh-98

Glass width (Gw) (mm) =  $\frac{Sw+18}{5}$

### PROFILE CUTTING MEASURES

Upper and bottom profiles (RSG104 F 01 ve F 02) (mm) = Sw - 72

Side frame profiles (RSG104 F 03) (mm) = Sh - 72

Veht profiles (RSG104 V 01) (mm) = Gw - 16

Adapter profiles (RSG104 A 03 ve A02) (mm) = Gh - 26

Adapter profiles (RSG104 A 01) (mm) = Gw + 4

01

02

03

04

05

06

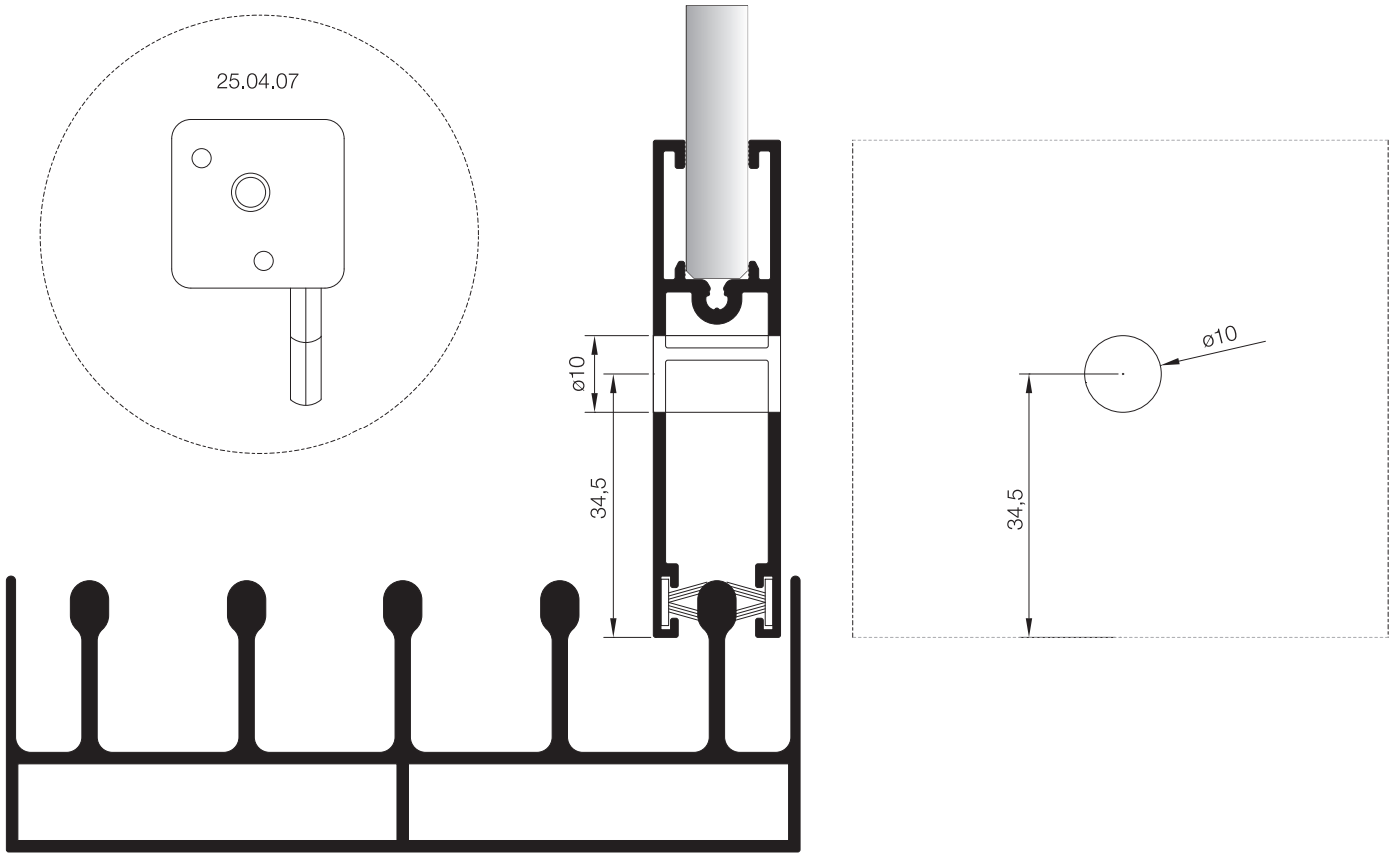
07

08

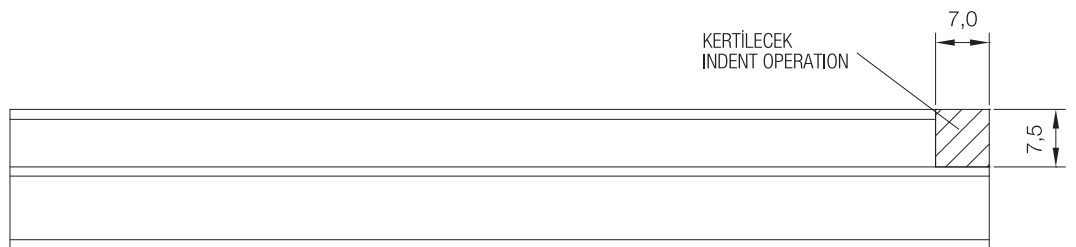
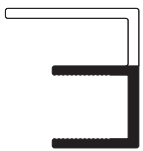
09

10

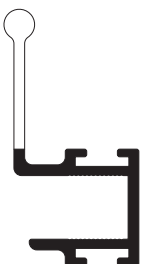
## KERTME VE DELME İŞLEMLERİ INDENT AND DRILL OPERATIONS

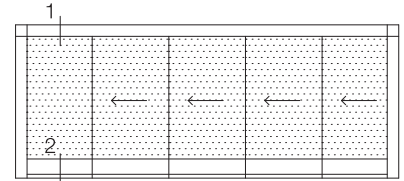


RSG104 A 02

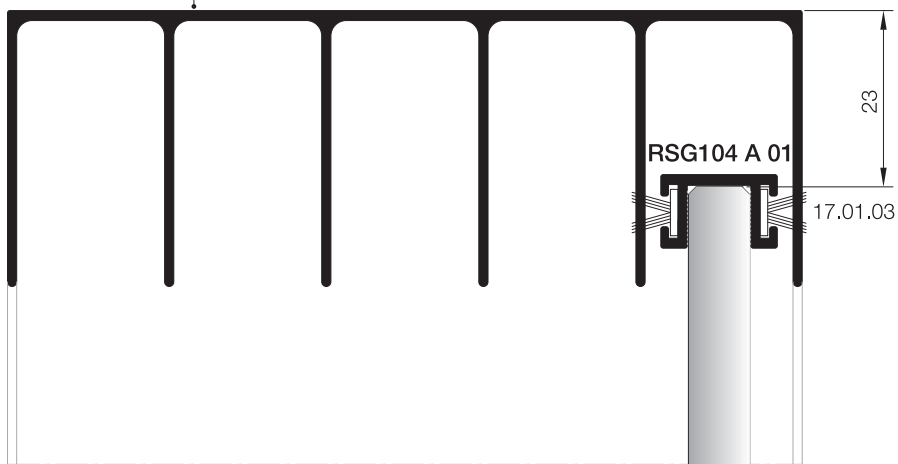


RSG104 A 03





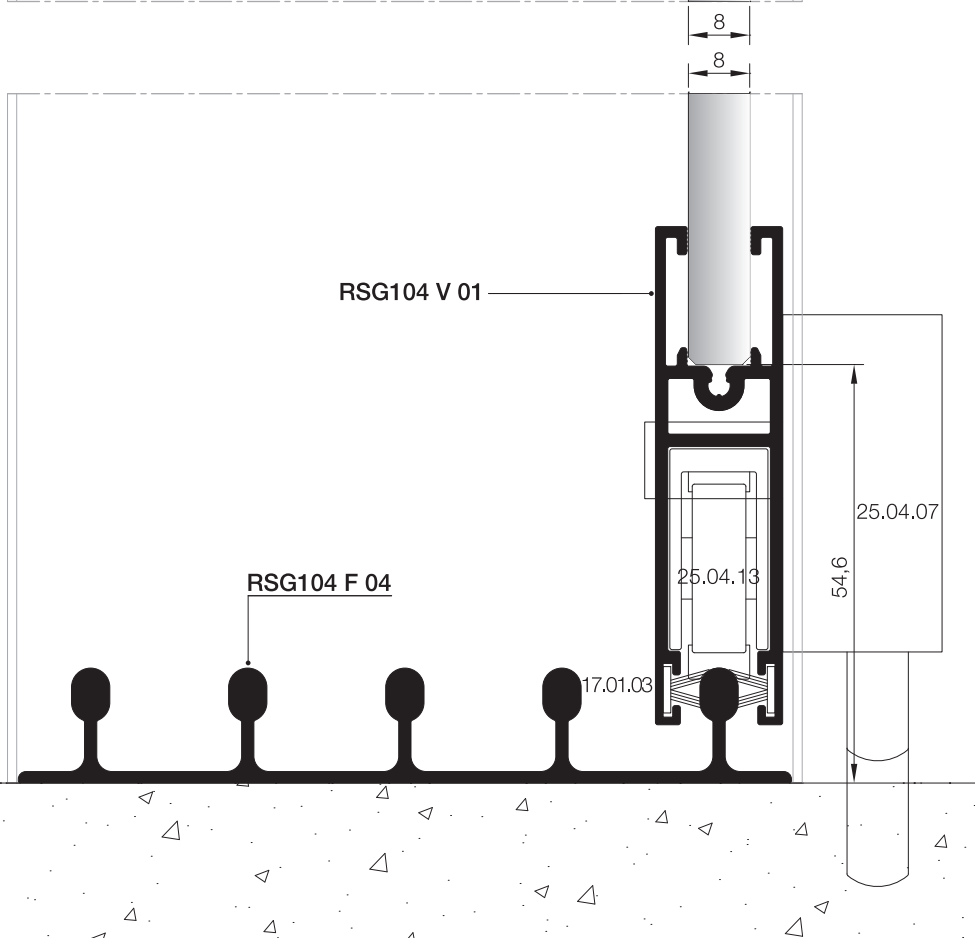
RSG104 F 01



① DETAYI  
DETAIL

RSG104 V 01

RSG104 F 04



② DETAYI  
DETAIL

01

02

03

04

05

06

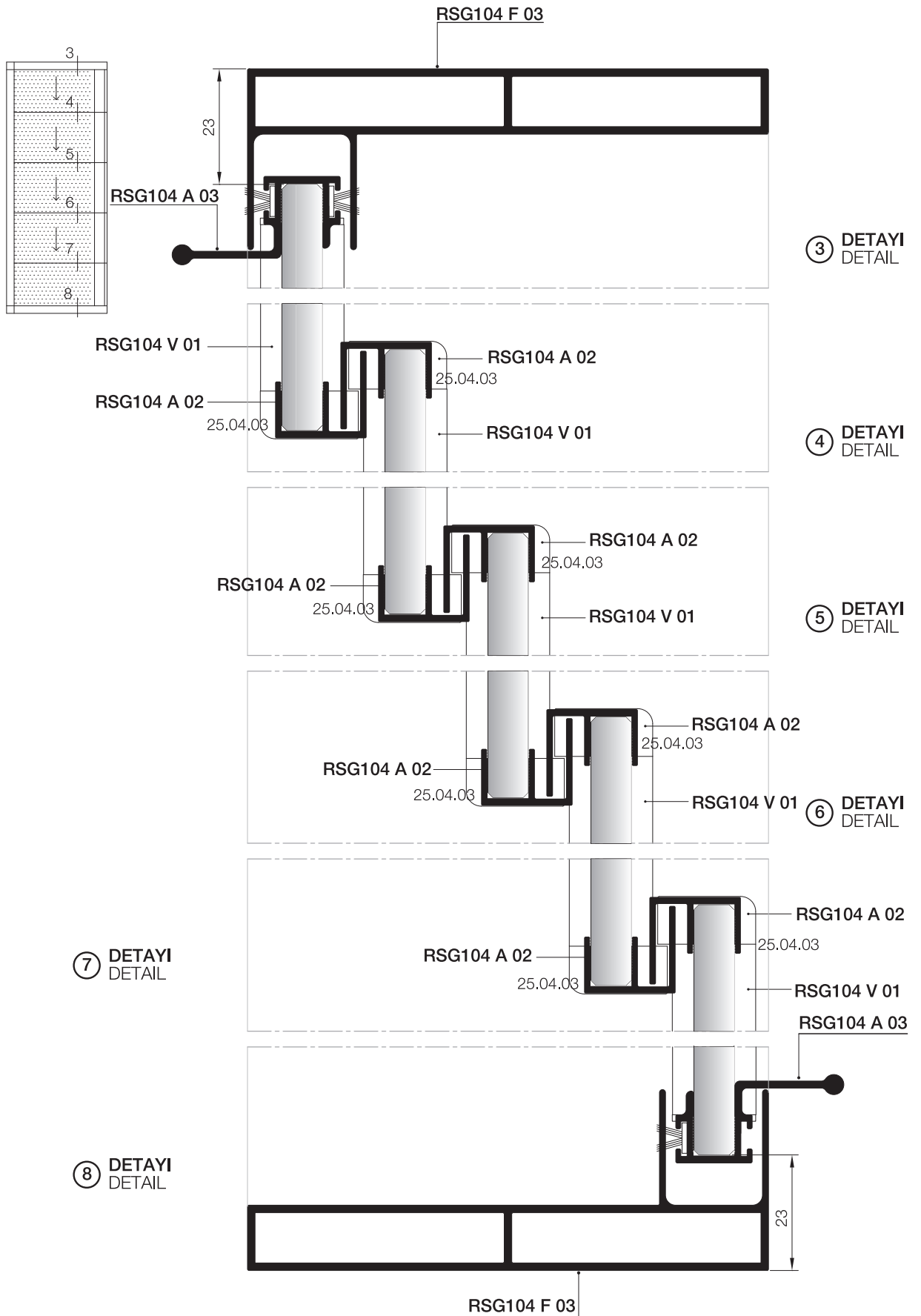
07

08

09

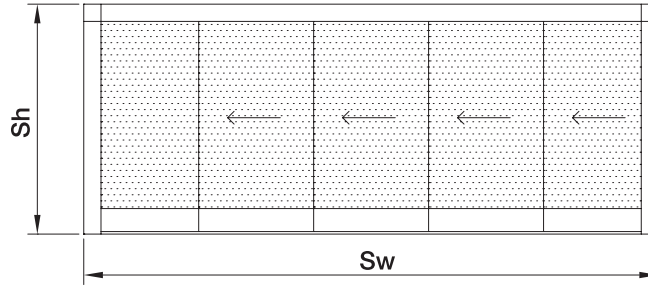
10

- 01
- 02
- 03
- 04
- 05
- 06
- 07
- 08
- 09
- 10





## ÜRETİM MANUFACTURE



### CAM EBATLARI

Cam Yüksekliği (Gh) (mm) = Sh-78

Cam Genişliği (Gw) (mm) =  $\frac{Sw+18}{5}$

### PROFİL KESİM ÖLÇÜLERİ

Üst Kasa Profilleri (RSG104 F 01) (mm) = Sw - 72

Alt Kasa Profilleri (RSG104 F 04) (mm) = Sw - 26

Yan Kasa Profilleri (RSG104 F 03) (mm) = Sh - 36

Kanat Profili (RSG104 V 01) (mm) = Gw - 16

Dikme Profilleri (RSG104 A 03 ve A02) (mm) = Gh - 26

Üst Yatay Profili (RSG104 A 01) (mm) = Gw + 4

### GLASS DIMENSIONS

Glass height (Gh) (mm) = Sh-78

Glass width (Gw) (mm) =  $\frac{Sw+18}{5}$

### PROFILE CUTTING MEASURES

Upper profile (RSG104 F 01) (mm) = Sw - 72

Bottom profile (RSG104 F 04) (mm) = Sw - 26

Side frame profiles (RSG104 F 03) (mm) = Sh - 36

Vent profiles (RSG104 V 01) (mm) = Gw - 16

Adapter profiles (RSG104 A 03 ve A02) (mm) = Gh - 26

Adapter profiles (RSG104 A 01) (mm) = Gw + 4

01

02

03

04

05

06

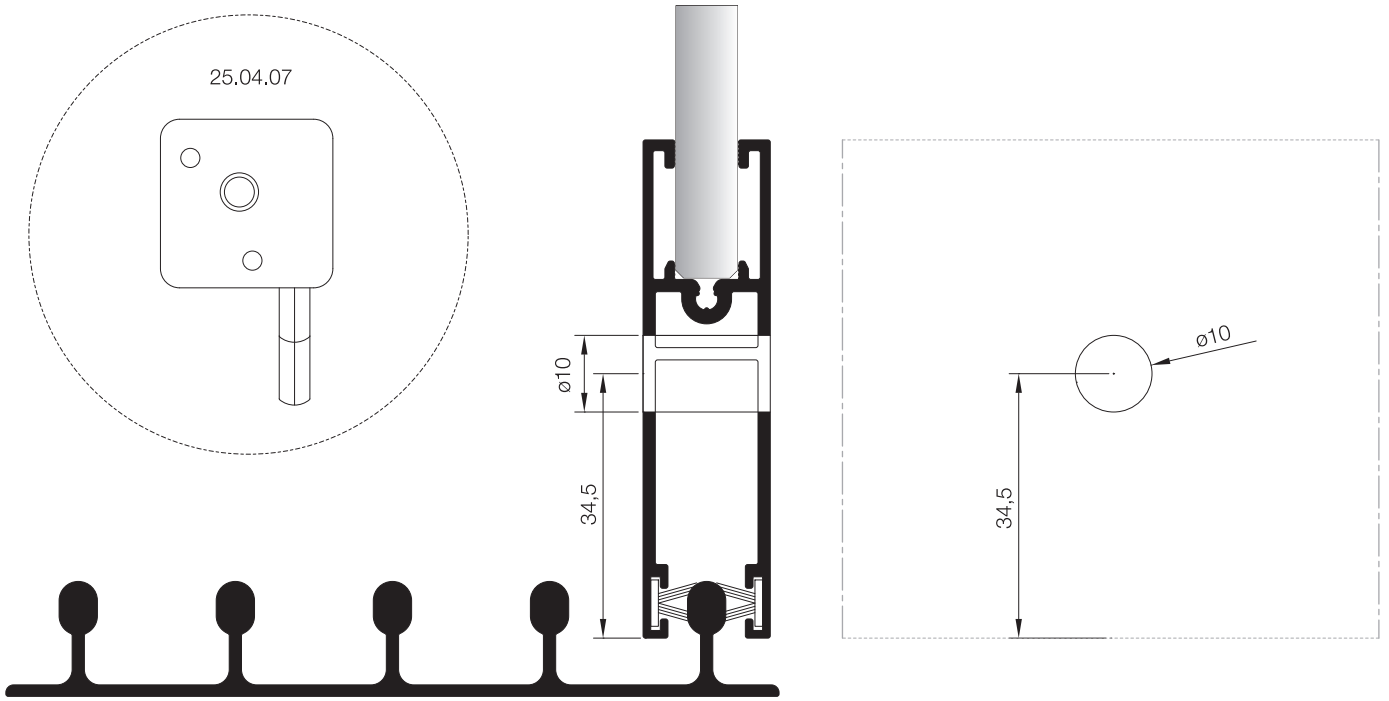
07

08

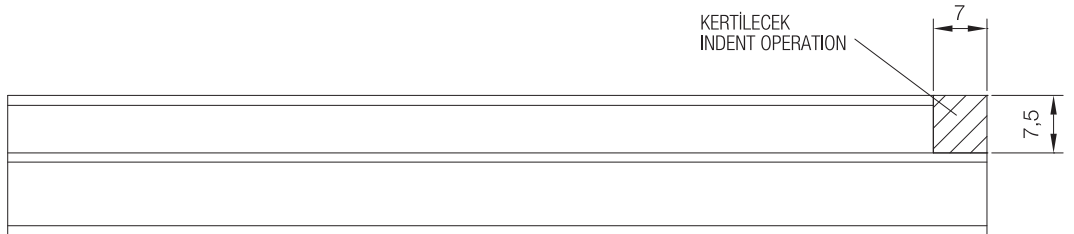
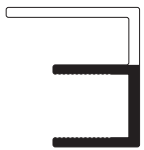
09

10

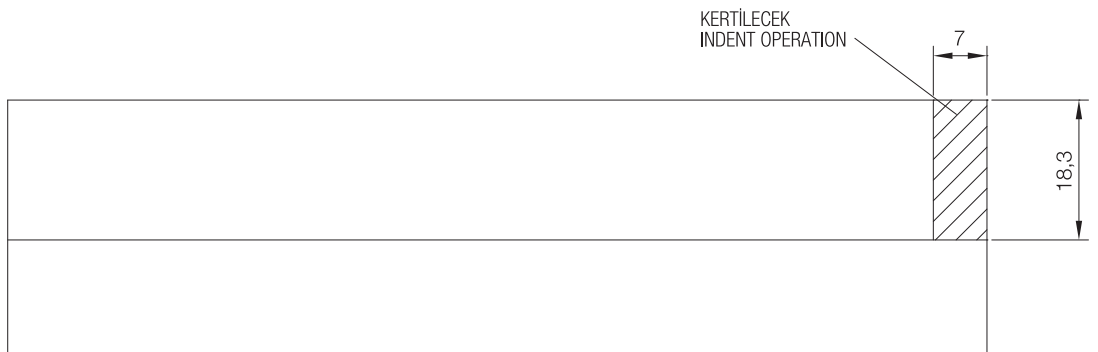
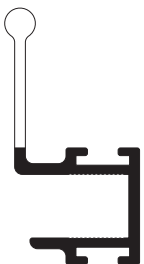
## KERTME VE DELME İŞLEMLERİ INDENT AND DRILL OPERATIONS

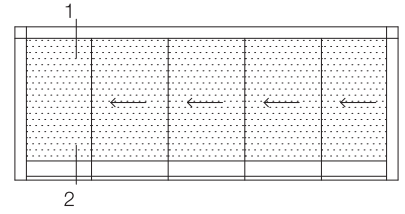


RSG104 A 02

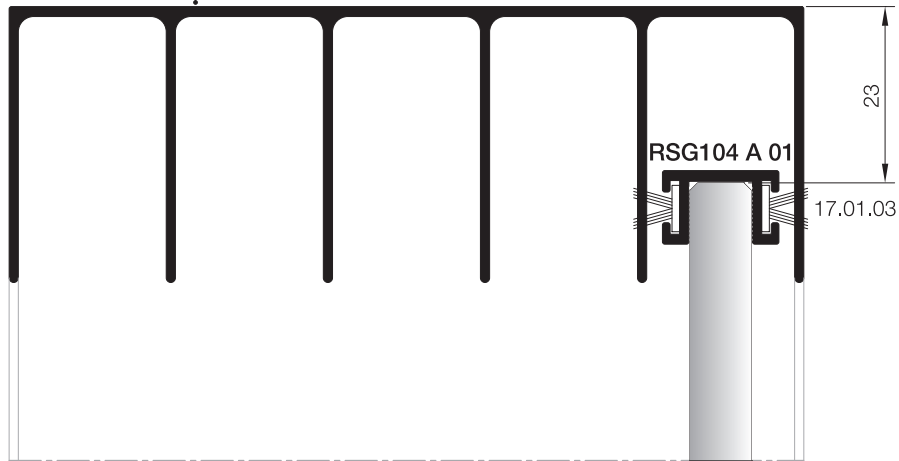


RSG104 A 03





RSG104 F 01



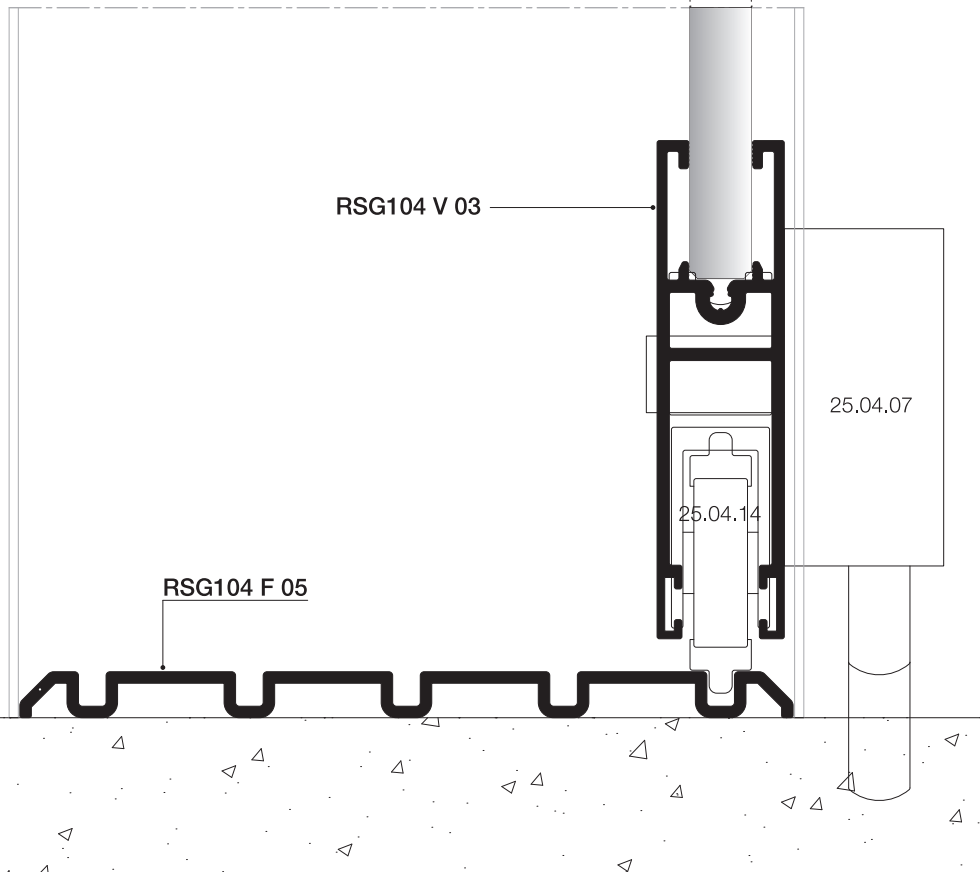
① DETAYI  
DETAIL

RSG104 V 03

25.04.07

25.04.14

RSG104 F 05



② DETAYI  
DETAIL

01

02

03

04

05

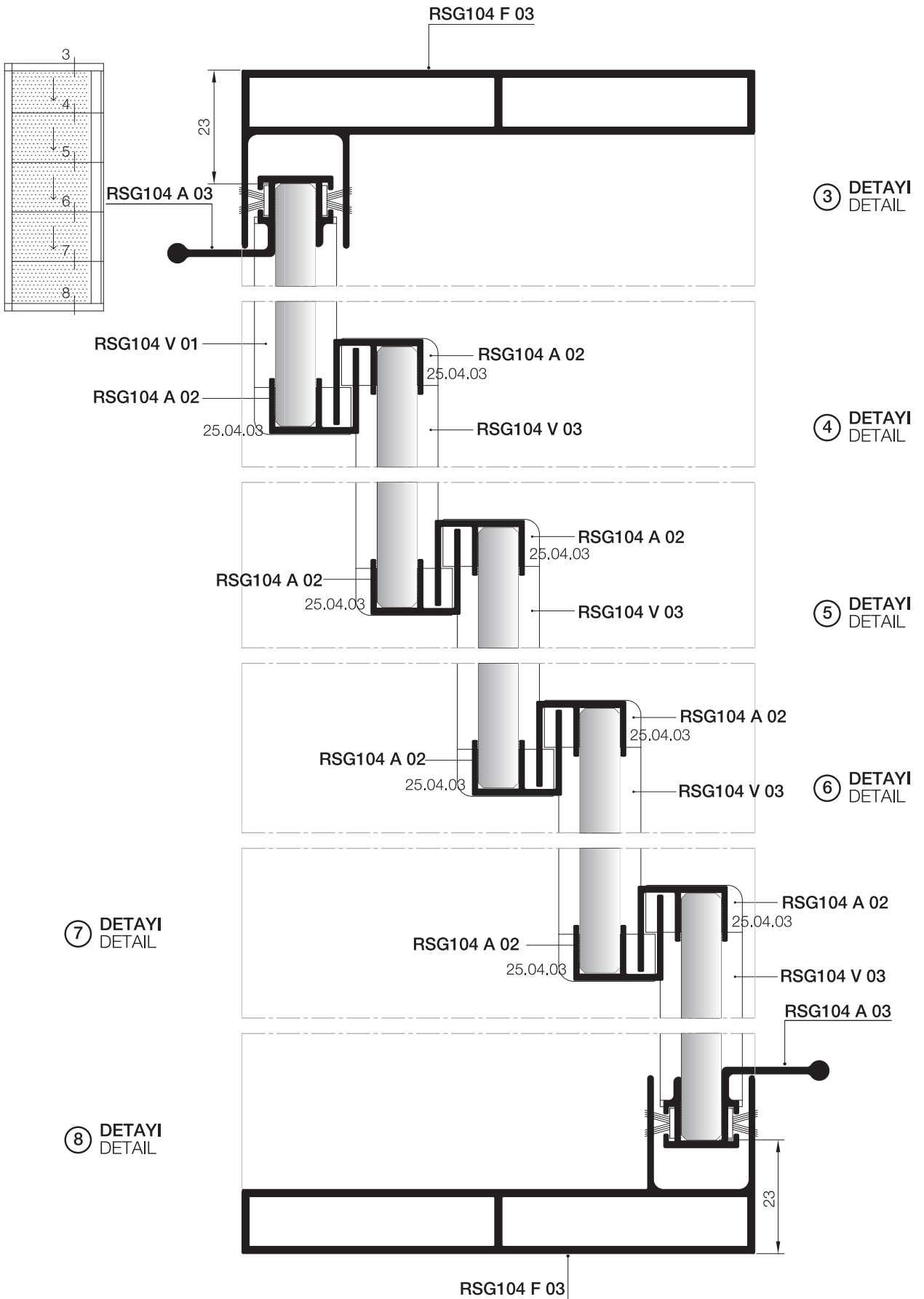
06

07

08

09

10



01

02

03

04

05

06

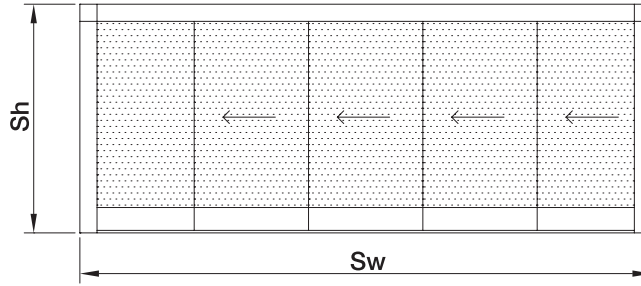
07

08

09

10

## ÜRETİM MANUFACTURE



### CAM EBATLARI

Cam Yüksekliği (Gh) (mm) = Sh-80,3

Cam Genişliği (Gw) (mm) =  $\frac{Sw+18}{5}$

### PROFİL KESİM ÖLÇÜLERİ

Üst Kasa Profilleri (RSG104 F 01) (mm) = Sw - 72

Alt Kasa Profilleri (RSG104 F 05) (mm) = Sw - 26

Yan Kasa Profilleri (RSG104 F 03) (mm) = Sh - 36

Kanat Profili (RSG104 V 03) (mm) = Gw - 16

Dikme Profilleri (RSG104 A 03 ve A02) (mm) = Gh - 26

Üst Yatay Profili (RSG104 A 01) (mm) = Gw + 4

### GLASS DIMENSIONS

Glass height (Gh) (mm) = Sh-80,3

Glass width (Gw) (mm) =  $\frac{Sw+18}{5}$

### PROFILE CUTTING MEASURES

Upper profile (RSG104 F 01) (mm) = Sw - 72

Bottom profile (RSG104 F 05) (mm) = Sw - 26

Side frame profiles (RSG104 F 03) (mm) = Sh - 36

Vent profiles (RSG104 V 03) (mm) = Gw - 16

Adapter profiles (RSG104 A 03 ve A02) (mm) = Gh - 26

Adapter profiles (RSG104 A 01) (mm) = Gw + 4

01

02

03

04

05

06

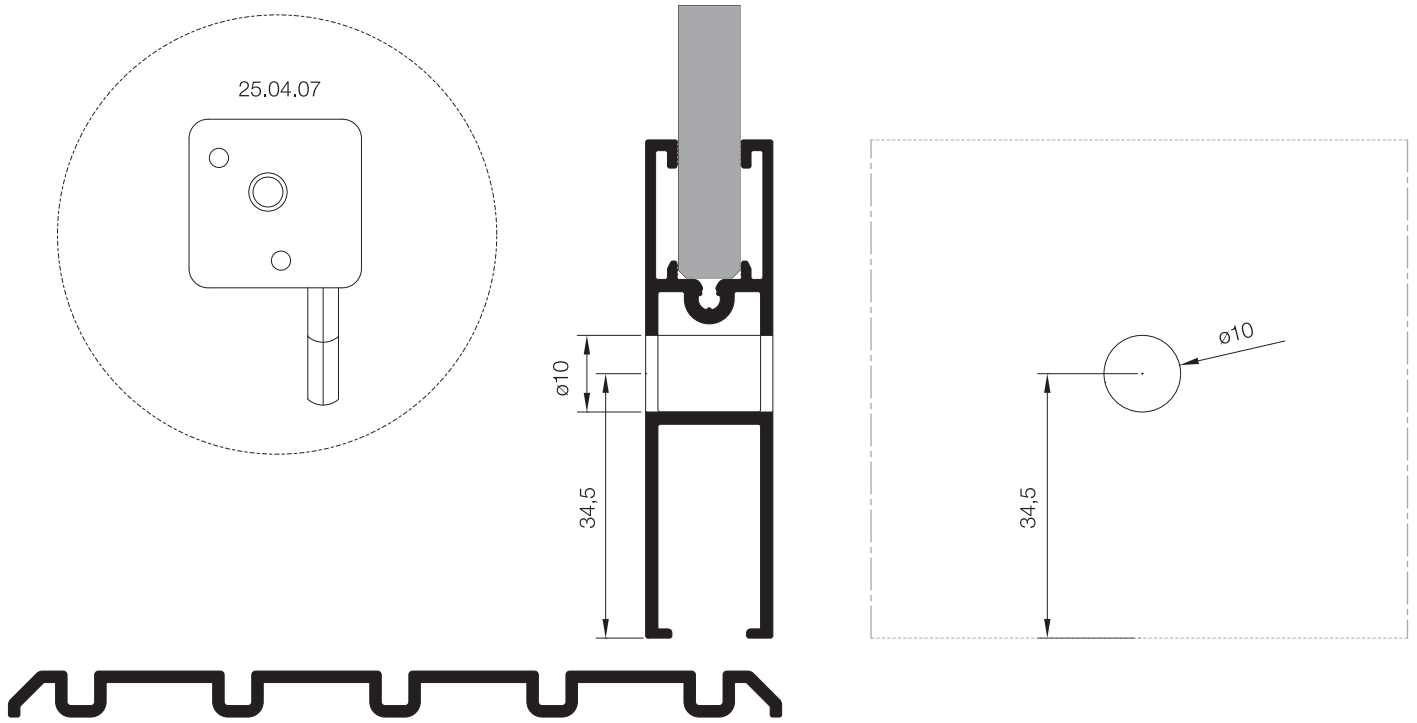
07

08

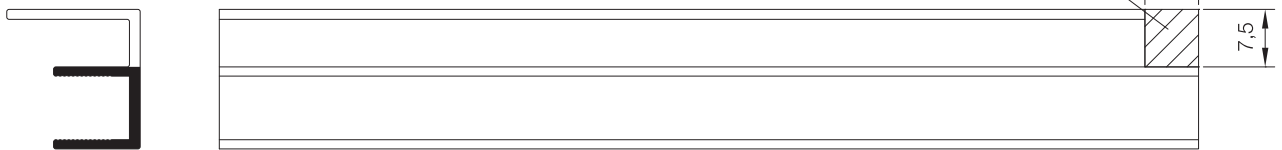
09

10

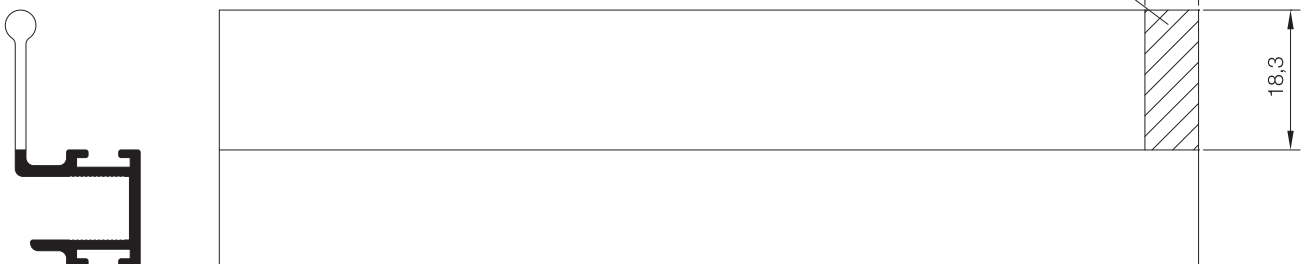
## KERTME VE DELME İŞLEMLERİ INDENT AND DRILL OPERATIONS



RSG104 A 02



RSG104 A 03



MİMARİ KATALOG  
ARCHITECTURAL CATALOGUE

Alüminyum Kapı Pencere ve Giydirme Cephe Sistemleri  
Aluminium Window Doors and Facade Systems



Rescara Sistem Detayları  
Rescara System Details

# RSG104

AKSESUARLAR

ACCESSORIES

01

02

03

04

05

06

07

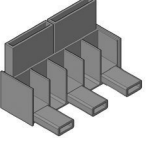
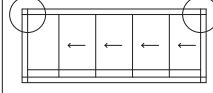
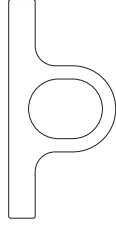
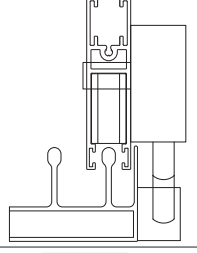
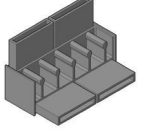
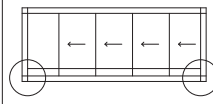
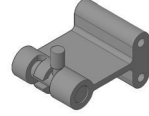
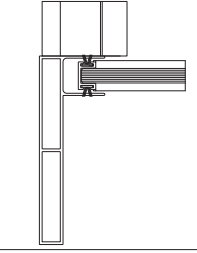

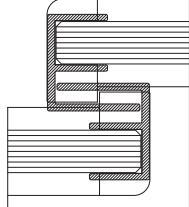
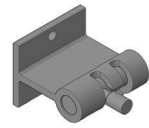
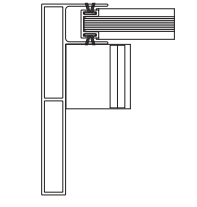

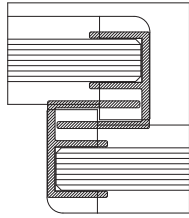

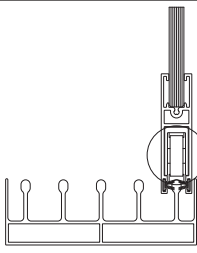

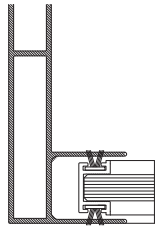

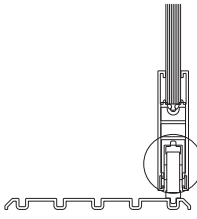

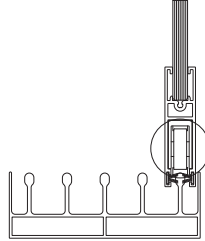

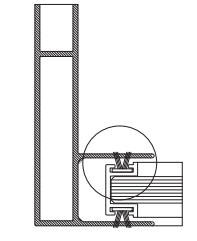
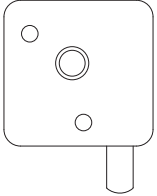
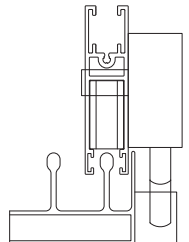
08

09

10





	<p>25.04.01</p> <p><b>KÖŞE TAKOZU</b> CORNER CLEAT</p> <p>Malzeme / Material : PVC RSG104 F 01 - RSG104 F 03</p>			<p>25.04.08</p> <p><b>KİLİT KARŞILIĞI</b> STRIKER</p>	
	<p>25.04.02</p> <p><b>KÖŞE TAKOZU</b> CORNER CLEAT</p> <p>Malzeme / Material : PVC RSG104 F 02 - RSG104 F 03</p>			<p>25.04.10</p> <p><b>KİLİT</b> LOCK</p>	
	<p>25.04.03</p> <p><b>ARKA KAPAK (SOL)</b> CAP (LEFT)</p> <p>Malzeme / Material : PVC</p>			<p>25.04.11</p> <p><b>KİLİT</b> LOCK</p>	
	<p>25.04.04</p> <p><b>ARKA KAPAK (SAĞ)</b> CAP (RIGHT)</p> <p>Malzeme / Material : PVC</p>			<p>25.04.13</p> <p><b>AYARLI ÇİFTLİ RULMAN</b> ADJUSTABLE DOUBLE ROLLER</p> <p>RSG104 V 01 İÇİN FOR RSG104 V 01</p>	
	<p>25.04.05</p> <p><b>BİTİŞ KAPAĞI</b> END CAP</p> <p>Malzeme / Material : PVC</p>			<p>25.04.14</p> <p><b>AYARLI ÇİFTLİ RULMAN</b> ADJUSTABLE DOUBLE ROLLER</p> <p>RSG104 V 03 - RSG104 F 05 İÇİN FOR RSG104 V 03 - RSG104 F 05</p>	
	<p>25.04.06</p> <p><b>RULMAN</b> ROLLER</p> <p>RSG104 V 01 İÇİN FOR RSG104 V 01</p>			<p>25.02.37</p> <p><b>KİL FİTİL</b> BRUSH</p>	
	<p>25.04.07</p> <p><b>KİLİT</b> LOCK</p>				

01

02

03

04

05

06

07

08

09

10

