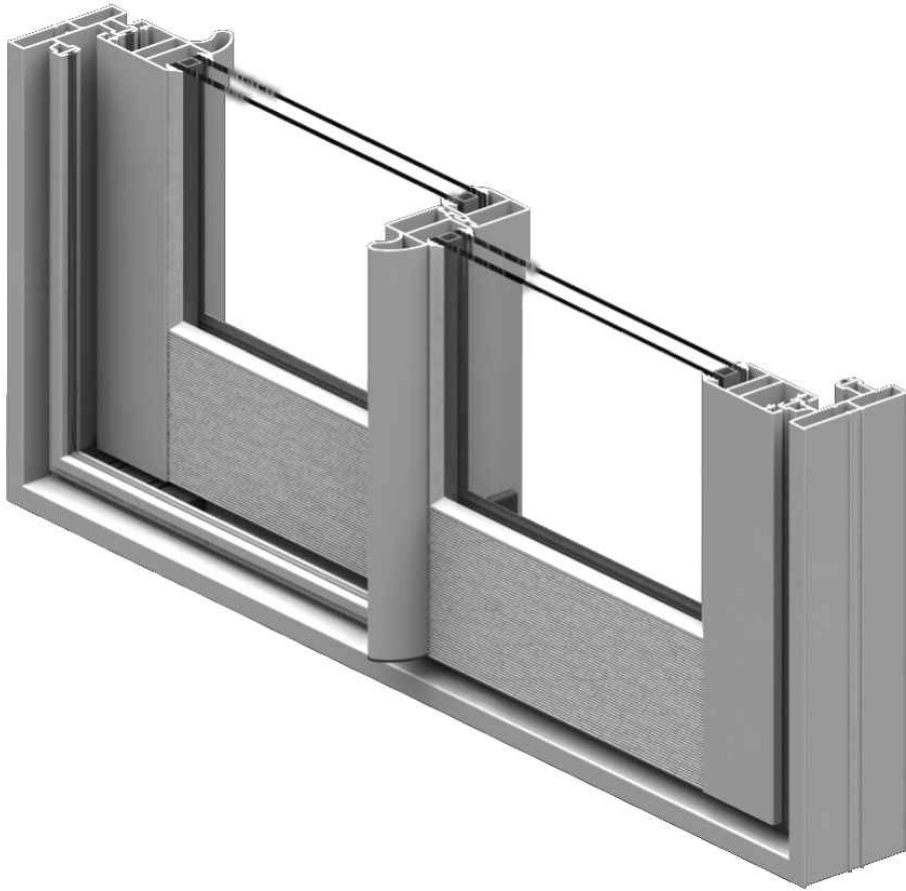


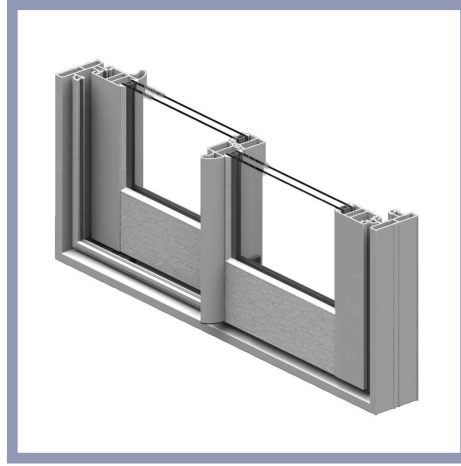
# MİMARİ KATALOG ARCHITECTURAL CATALOGUE

Alüminyum Kapı Pencere ve Giydirme Cephe Sistemleri  
Aluminium Window Doors and Facade Systems

 **RESCARA**



RS83



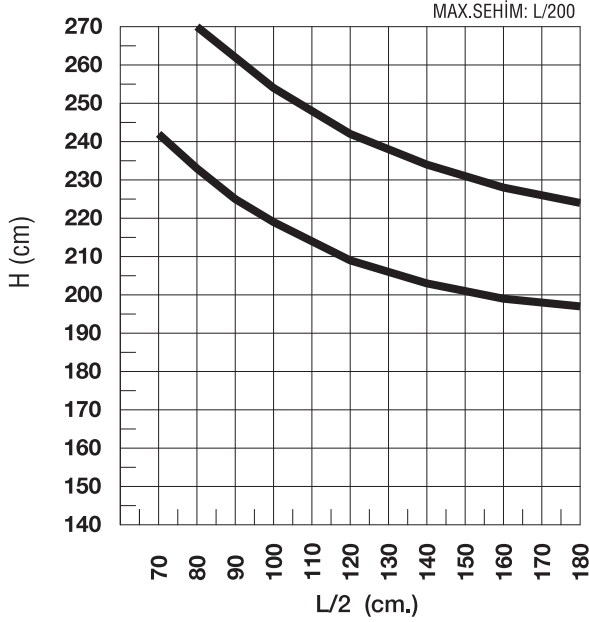
## TEKNİK ÖZELLİKLER / TECHNICAL PROPERTIES

KASA DERİNLİĞİ / FRAME DEPTH	min 83,4 mm-max 90,4 mm
KANAT DERİNLİĞİ / VENT DEPTH	min 34,2 mm-max 72,78
PROFİL ET KALINLIĞI / PROFILE WALL THICKNESS	1,4 mm
CAM KALINLIĞI / MAX. GLASS THICKNESS	8/10/24 mm

## UYGULAMA SEÇENEKLERİ / APPLICATION OPTIONS

	PENCERE WINDOW	KAPI DOOR
NORMAL SÜRME / SLIDING	•	•
90° KANAT BİRLEŞİMİ / VENT COMBINATION OF 90°	•	•
CAM ÇITASIZ KANAT / VENT WITHOUT GLAZING BEAD	•	•
SİNEKLİK UYGULAMASI / INSECT SCREEN APPLICATION	•	•

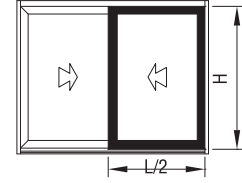
RÜZGAR YÜKÜNE GÖRE KULLANIM LİMİTLERİ GRAFIĞI  
USAGE DIAGRAM FOR THE WIND LOAD



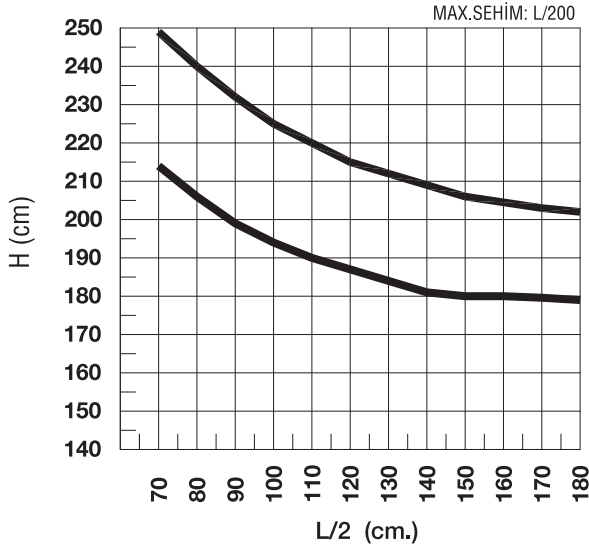
RS83V05



RS83V05



RS83V05 Jx: 17,252 cm<sup>4</sup>  
RS83V05 Jx: 17,252 cm<sup>4</sup>  
TOPLAM Jx: 34,504 cm<sup>4</sup>

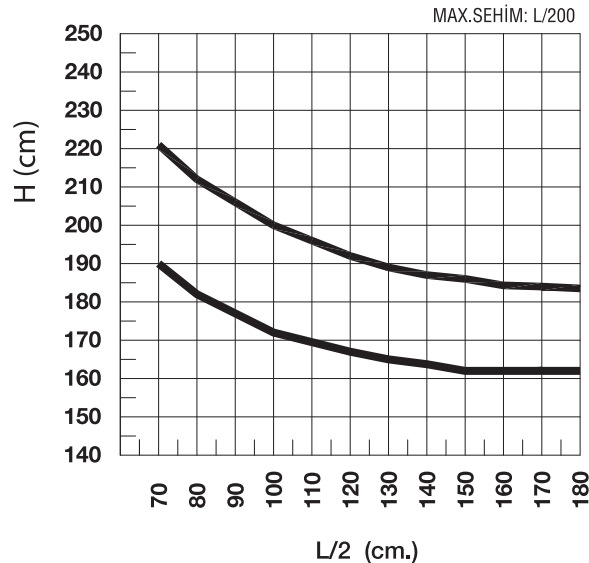


RS83V06

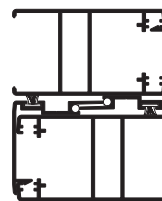


RS83V05

RS83V06 Jx: 6,384 cm<sup>4</sup>  
RS83V05 Jx: 17,252 cm<sup>4</sup>  
TOPLAM Jx: 23,636 cm<sup>4</sup>



RS83V01



RS83V01

RS83V01 Jx: 8,141 cm<sup>4</sup>  
RS83V01 Jx: 8,141 cm<sup>4</sup>  
TOPLAM Jx: 16,282 cm<sup>4</sup>



# MİMARİ KATALOG

## ARCHITECTURAL CATALOGUE

Alüminyum Kapı Pencere ve Giydirme Cephe Sistemleri  
Aluminium Window Doors and Facade Systems



Rescara Sistem Detayları  
Rescara System Details

# RS83

PROFİLLER

PROFILES

11

12

13

14

15

16

17

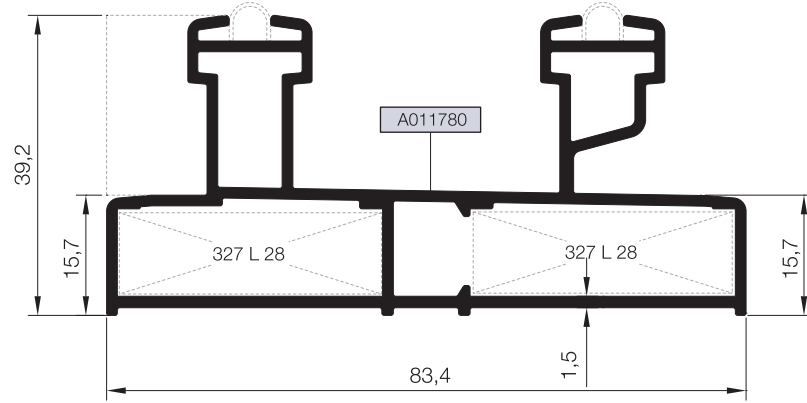
18

19

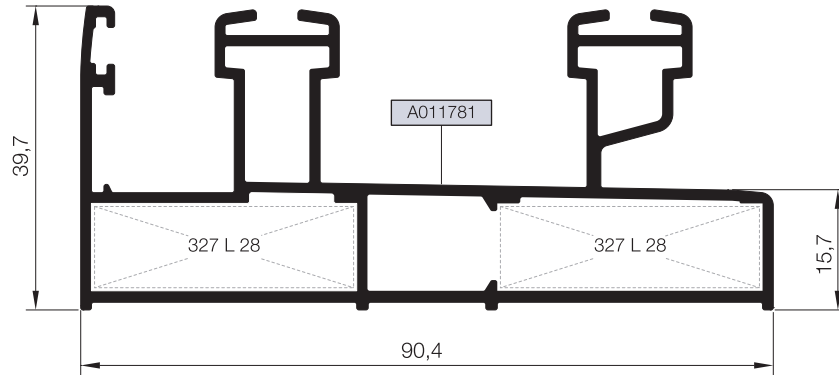
20

KOD / CODE	AĞIRLIK (kg/m) / WEIGHT	Jxx cm <sup>4</sup>	Jyy cm <sup>4</sup>	L m	
RS83 F 01	1,373	7,823	30,747	6	
RS83 F 02	1,558	8,922	44,572	6	
RS83 F 03	-	-	-	6	

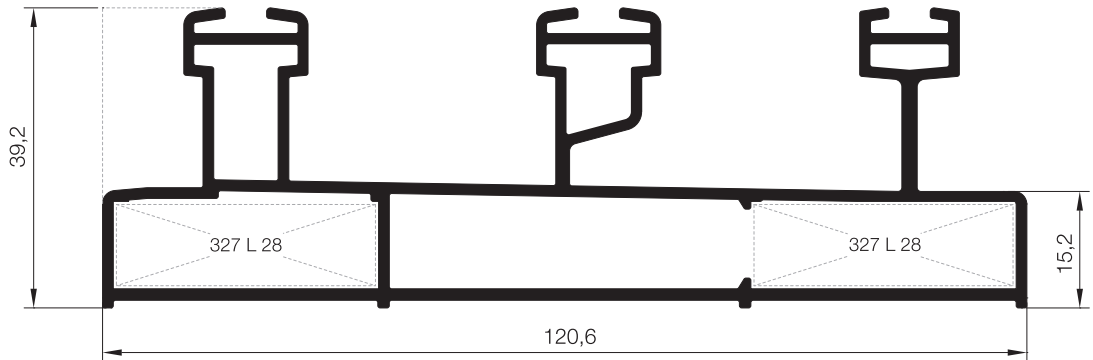
RS83 F 01



RS83 F 02

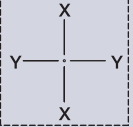


\*\*RS83 F 03

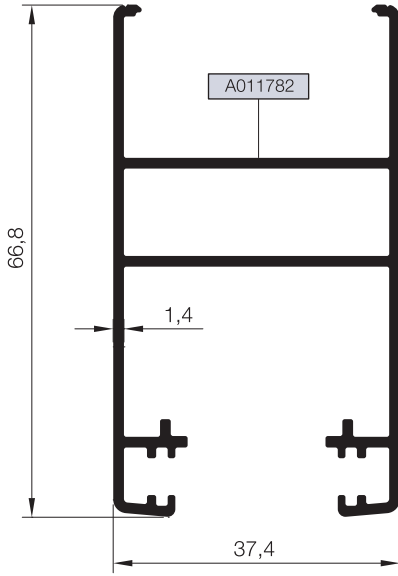


\*\*Kalıp aktif değildir. Sipariş üzerine yapılacaktır.  
The die is not active. It will be produced by order.

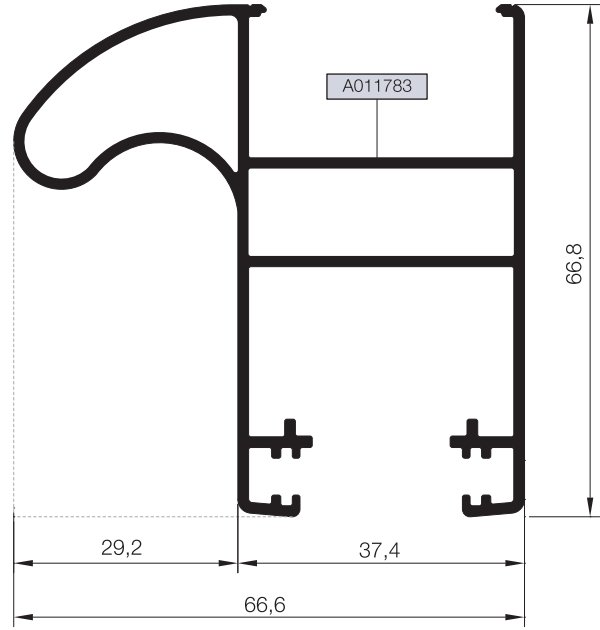
Nr		L m	KESİM ÖLÇÜSÜ CUTTING SIZE	AKS. KODU ACS. CODE
RS83 F 01	A011780	25 L 28 (A010542)	34,2 mm	327 L 28
RS83 F 02	A011781	25 L 28 (A010542)	34,2 mm	327 L 28

KOD / CODE	AĞIRLIK (kg/m) / WEIGHT	Jxx cm <sup>4</sup>	Jyy cm <sup>4</sup>	L m	
RS83 V 01	0,940	12,328	8,141	6	
RS83 V 02	1,216	16,884	18,027	6	
RS83 V 03	0,996	12,334	8,353	6	

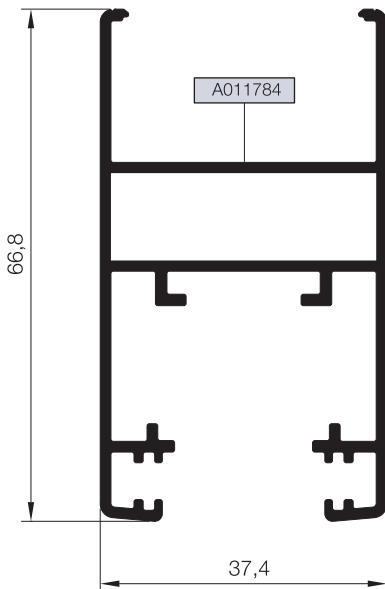
RS83 V 01



RS83 V 02



RS83 V 03



11

12

13

14

15

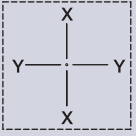
16

17

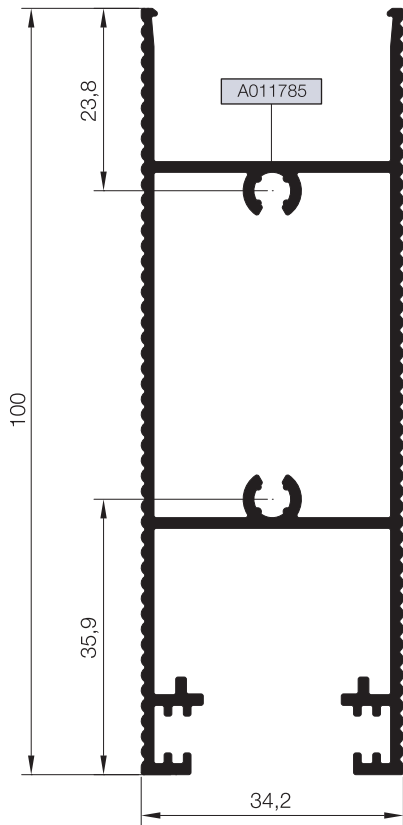
18

19

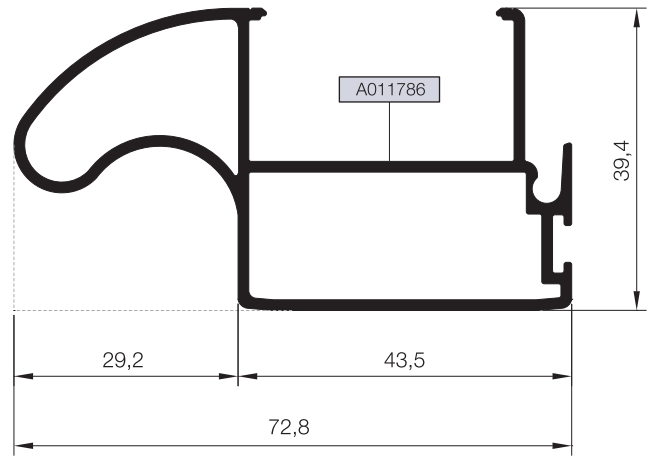
20

KOD / CODE	AĞIRLIK (kg/m) / WEIGHT	Jxx cm <sup>4</sup>	Jyy cm <sup>4</sup>	L m	
RS83 V 04	1,273	40,427	9,294	6	
RS83 V 05	0,937	4,748	17,252	6	
RS83 V 06	0,661	3,209	6,384	6	

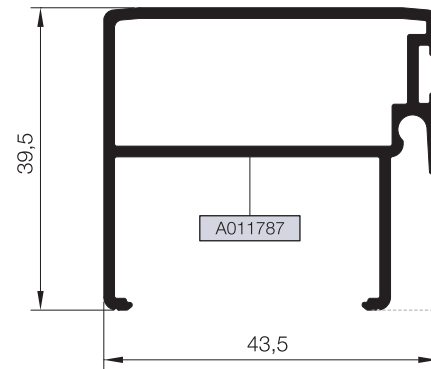
RS83 V 04



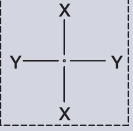
RS83 V 05



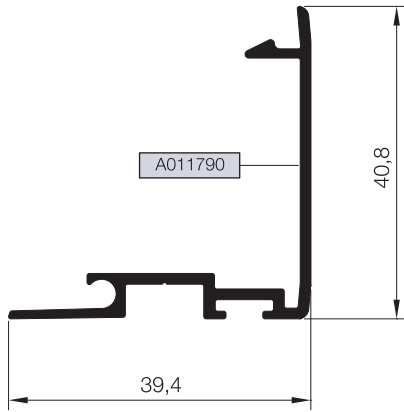
RS83 V 06



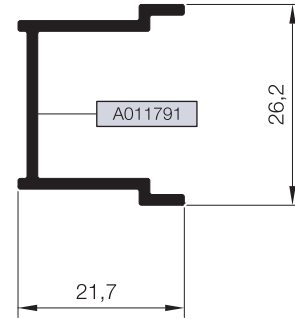


KOD / CODE	AĞIRLIK (kg/m) / WEIGHT	Jxx cm <sup>4</sup>	Jyy cm <sup>4</sup>	L m	
RS83 A 02	0,379	2,353	1,808	6	
RS83 A 03	0,254	0,428	0,872	6	
RS83 A 04	0,509	3,445	1,284	6	
TS58 V 06	0,917	4,270	10,506	6	

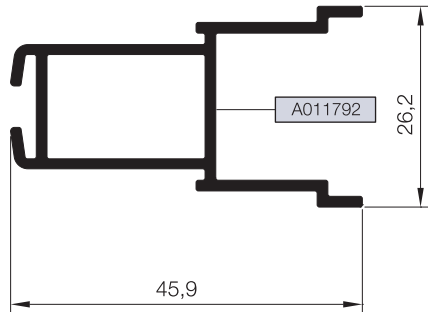
RS83 A 02



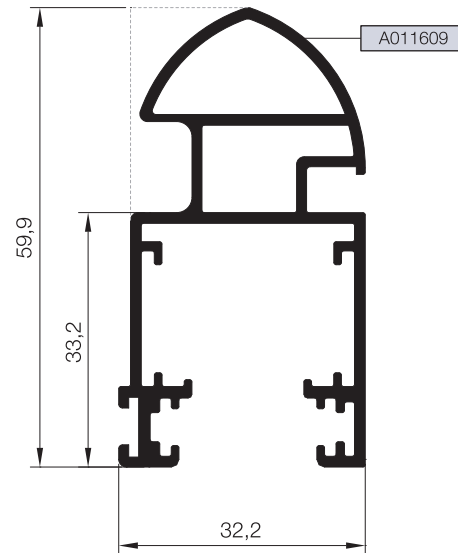
RS83 A 03



RS83 A 04



TS58 V 06





# MİMARİ KATALOG

## ARCHITECTURAL CATALOGUE

Alüminyum Kapı Pencere ve Giydirme Cephe Sistemleri  
Aluminium Window Doors and Facade Systems



Rescara Sistem Detayları  
Rescara System Details

# RS83

DETAYLAR

DETAILS

11

12

13

14

15

16

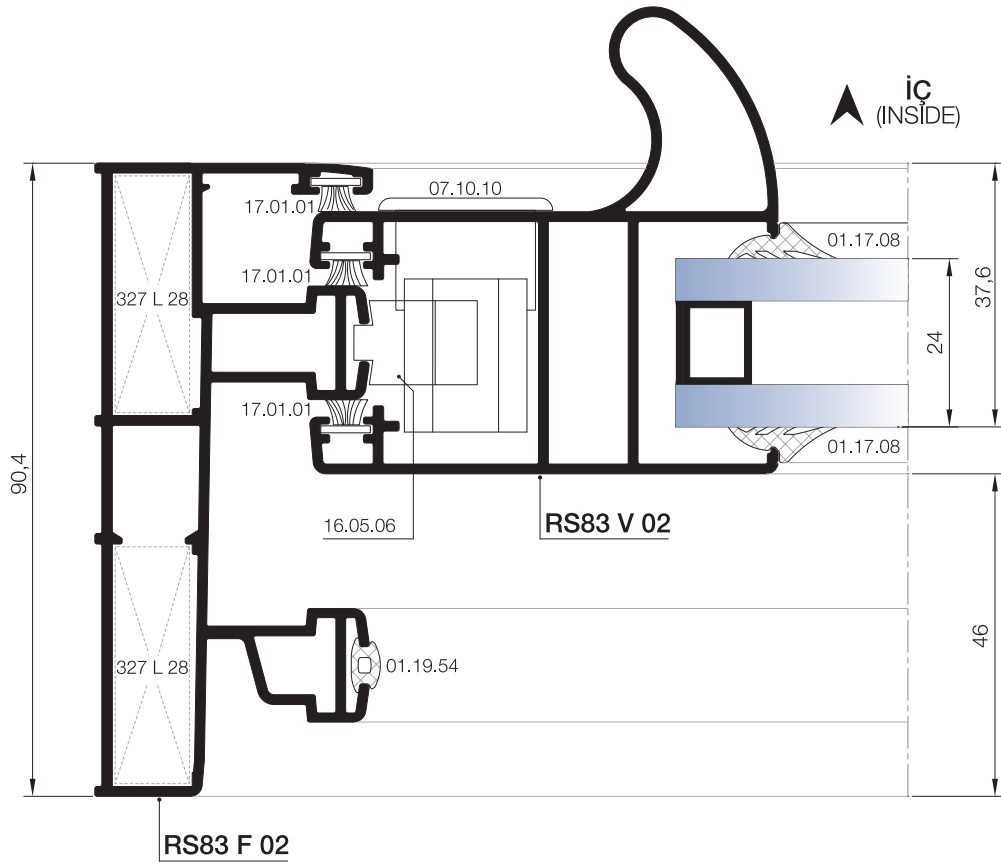
17

18

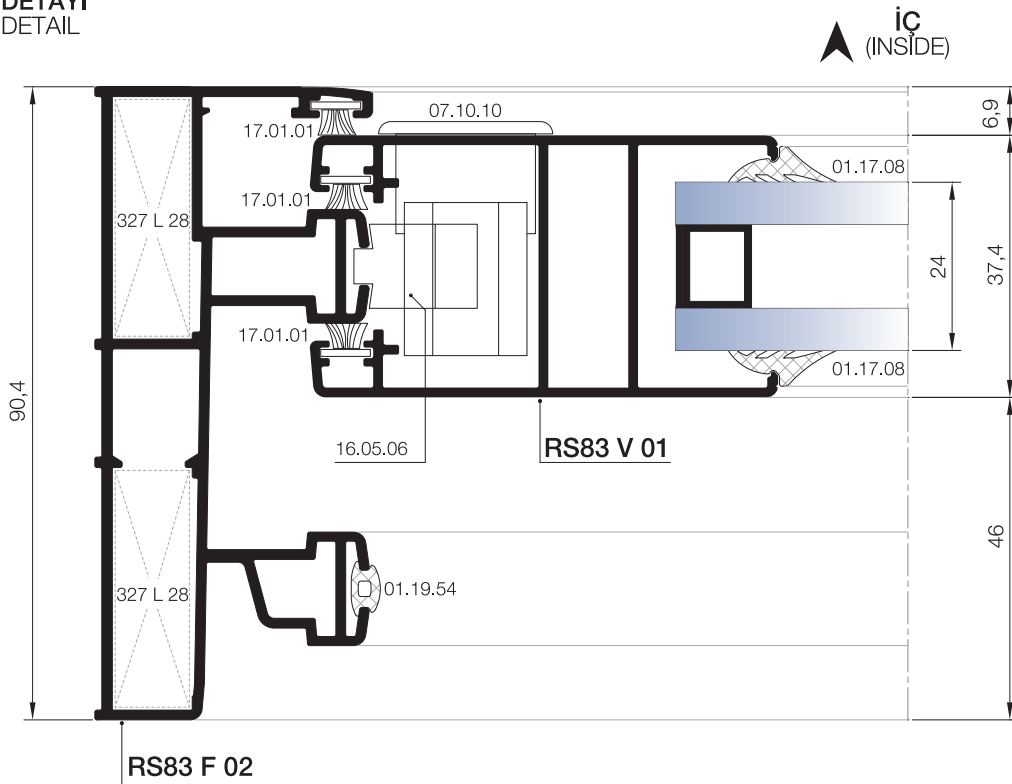
19

20

- 11
- 12
- 13
- 14
- 15
- 16
- 17
- 18
- 19
- 20

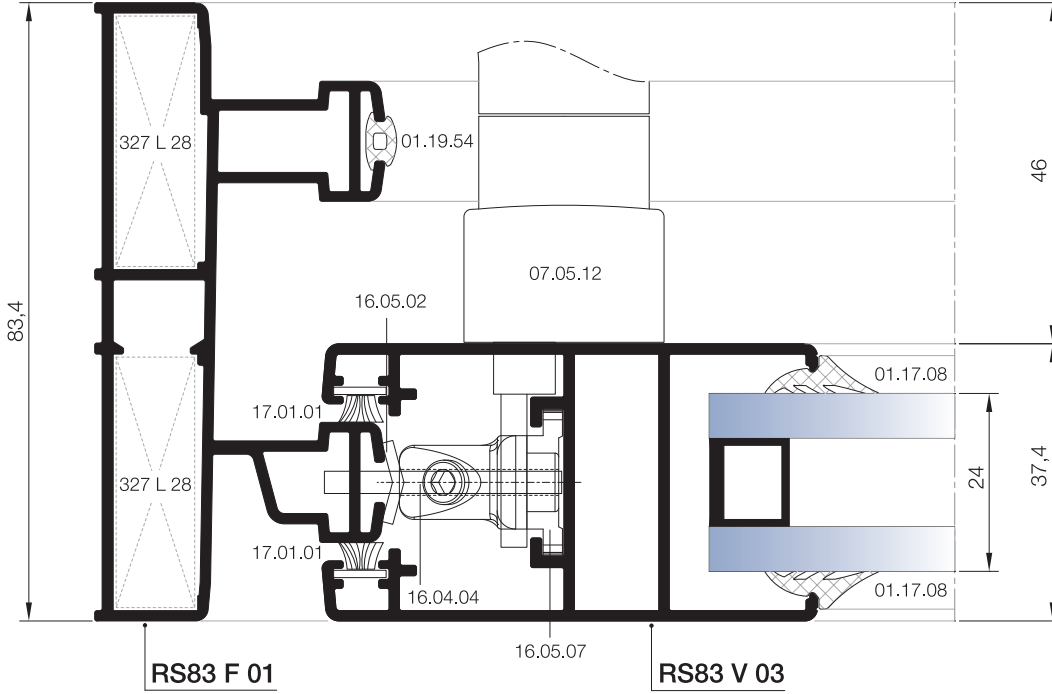
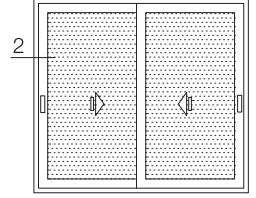


① DETAYI  
DETAIL



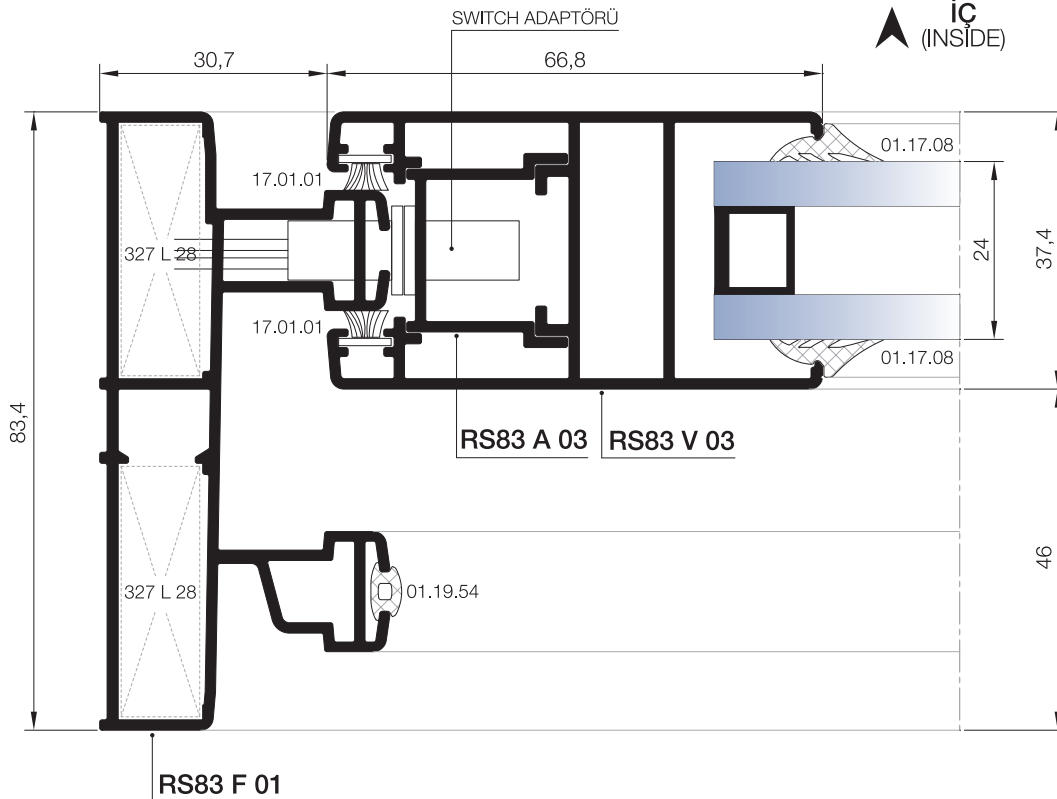
①A DETAYI  
DETAIL

▲ iç  
(INSIDE)

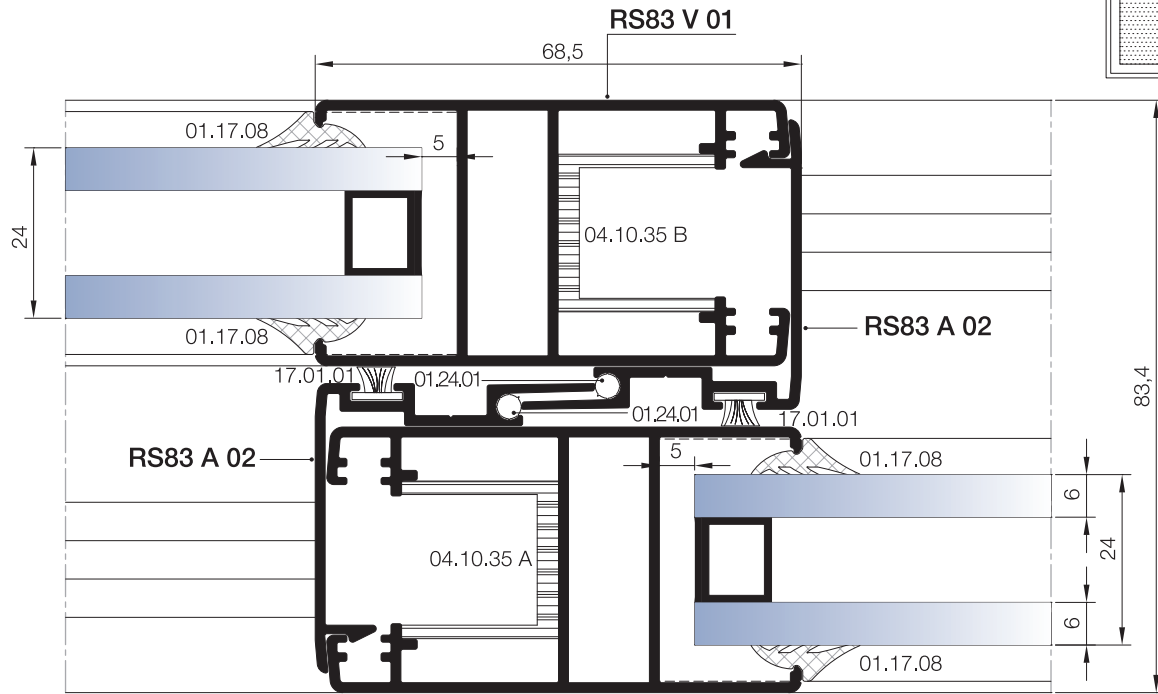
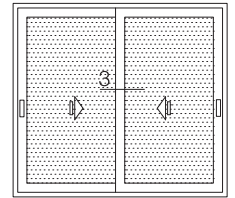


② DETAYI  
DETAIL

▲ iç  
(INSIDE)

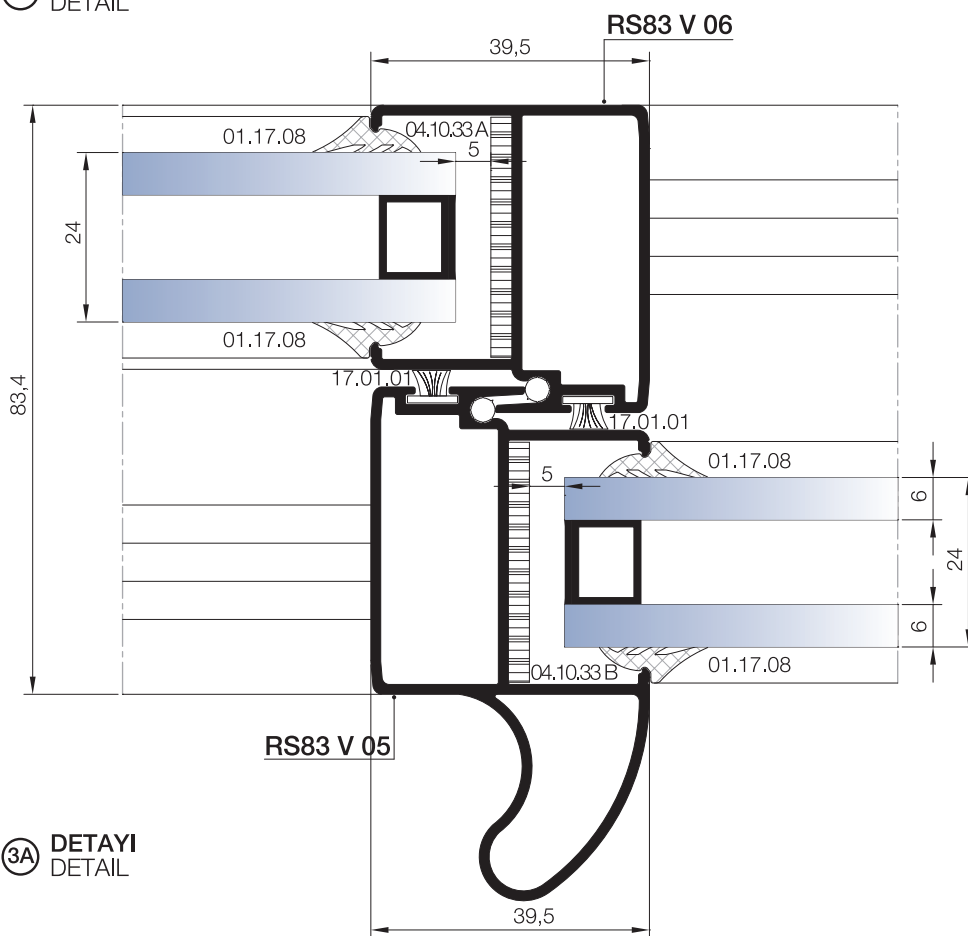


SWITCH DETAYI  
SWITCH DETAIL



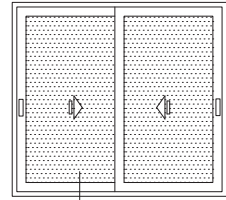
③ DETAYI  
DETAIL

RS83 V 01



③A DETAYI  
DETAIL

530



4

11

12

13

14

15

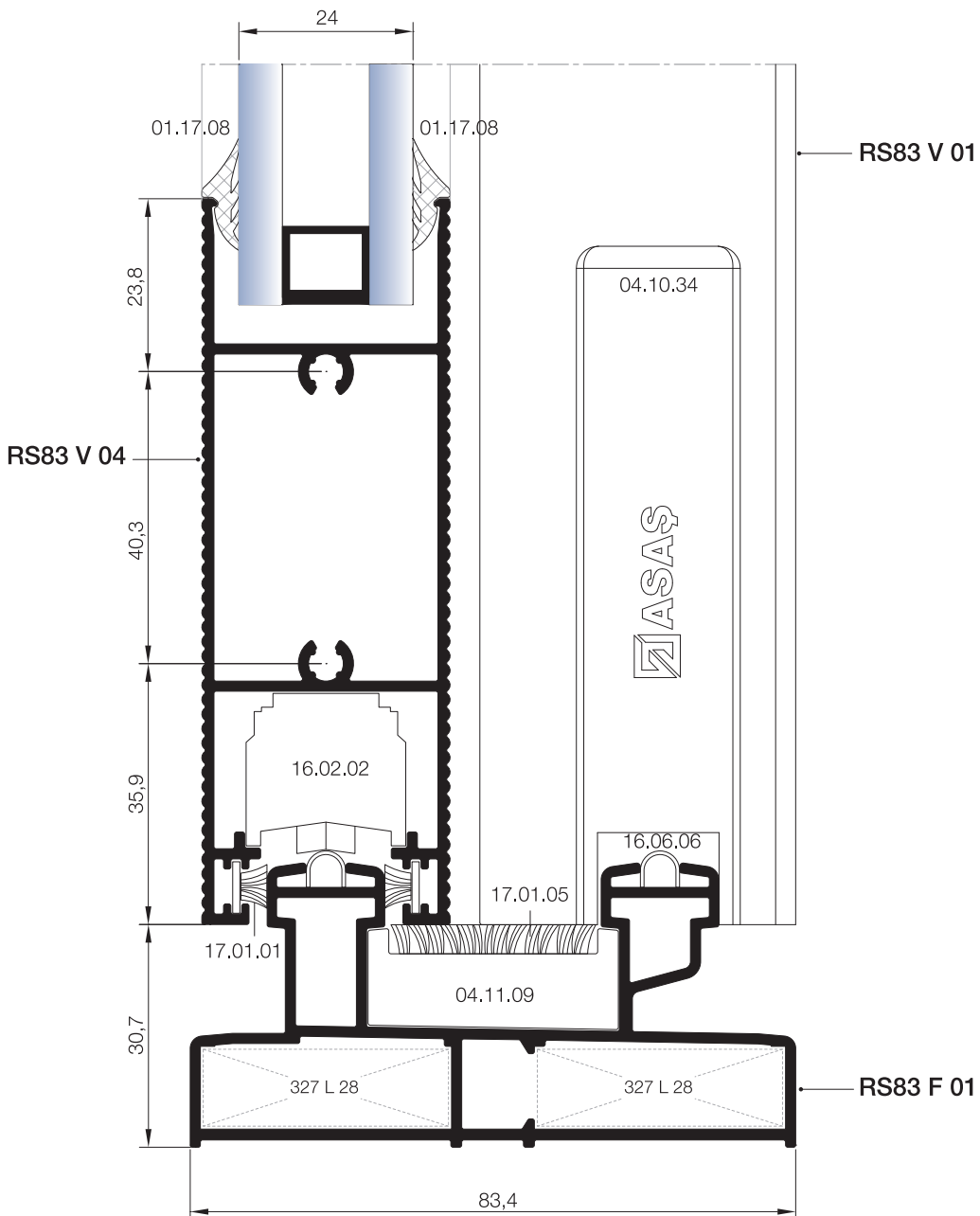
16

17

18

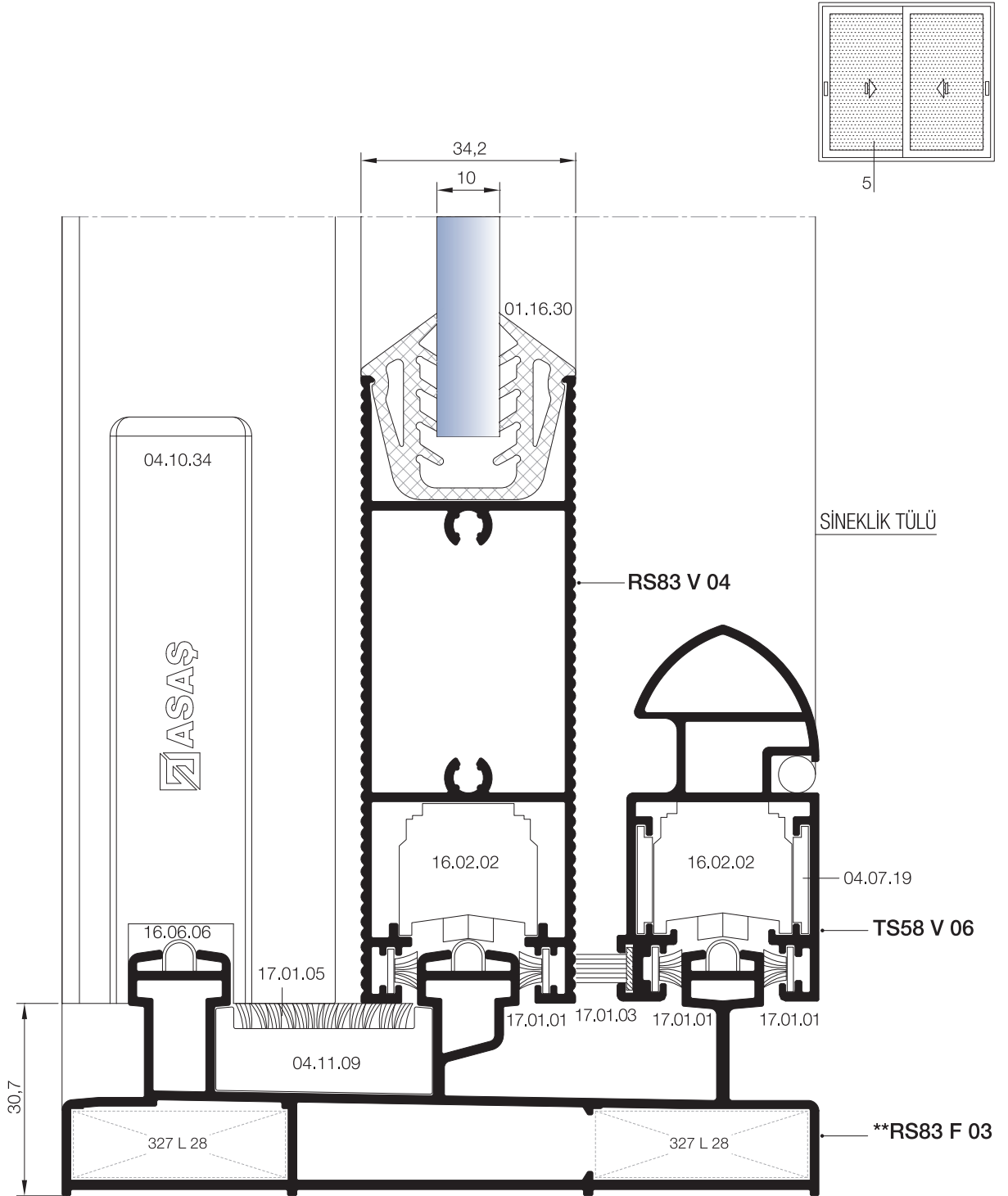
19

20



④ DETAYI  
DETAIL

- 11
- 12
- 13
- 14
- 15
- 16
- 17
- 18
- 19
- 20

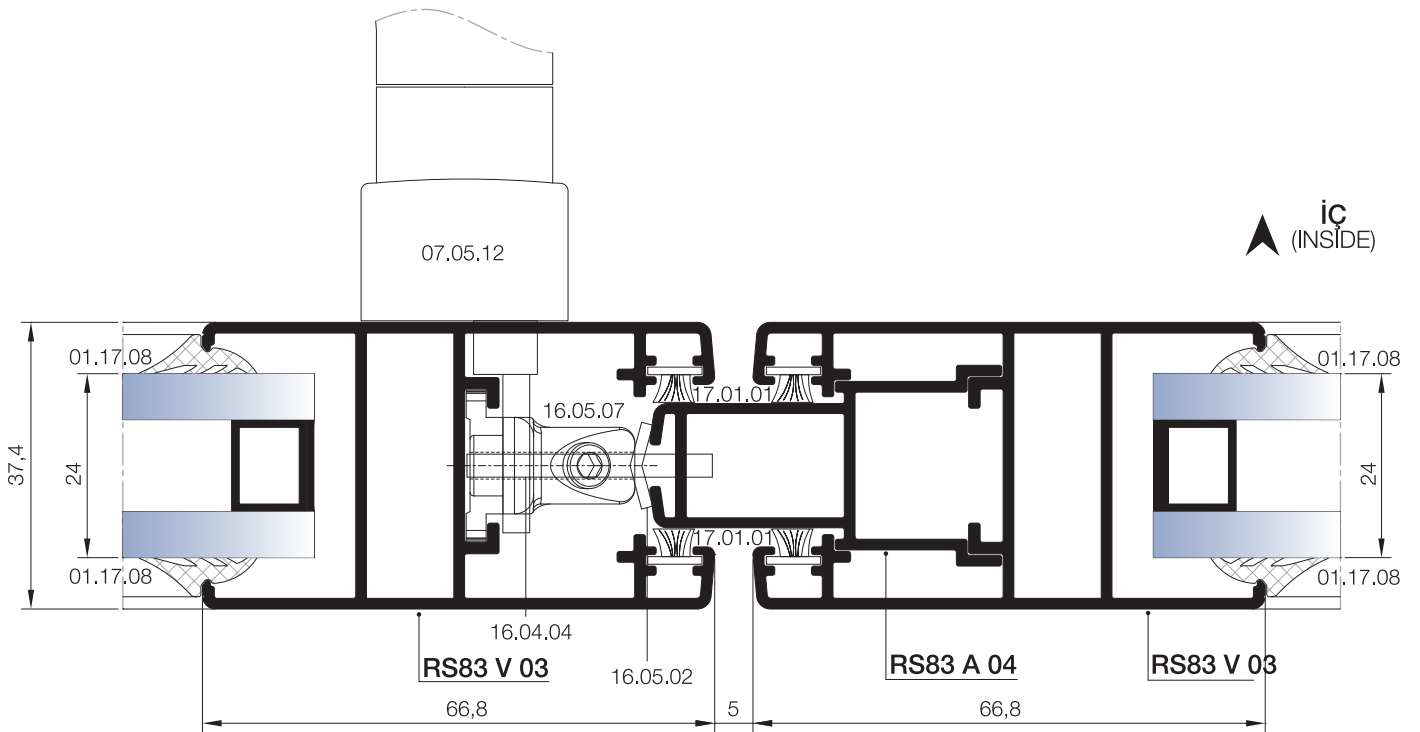
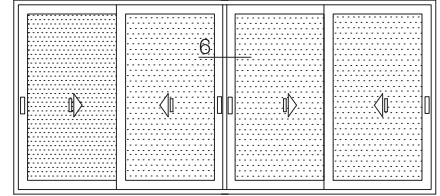


**\*\*Kalıp aktif değildir. Sipariş üzerine yapılacaktır.**  
The die is not active. It will be produced by order.

DIŞ  
(INSIDE) ➔

⑤ DETAYI  
DETAIL





⑥ DETAYI  
DETAIL

11

12

13

14

15

16

17

18

19

20



# MİMARİ KATALOG

## ARCHITECTURAL CATALOGUE

Alüminyum Kapı Pencere ve Giydirme Cephe Sistemleri  
Aluminium Window Doors and Facade Systems



Rescara Sistem Detayları  
Rescara System Details

# RS83

**AKSESUARLAR**

ACCESSORIES

11

12

13

14

15


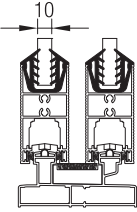

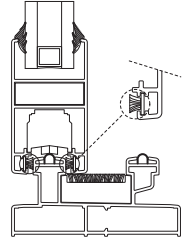

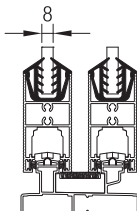
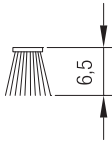
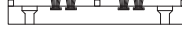

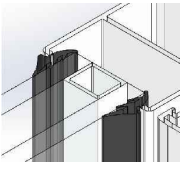
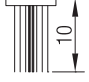
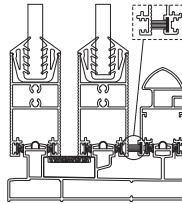

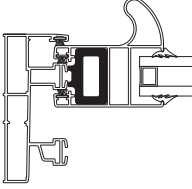

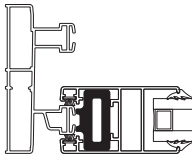

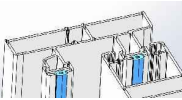

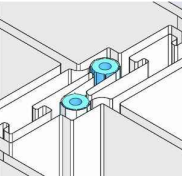
16

17

18

19

20

11		<p>01.16.30</p> <p>CAM FİTİLİ GLAZING GASKET</p> <p>Malzeme / Material : EPDM Ağırlık / Weight : 440 gr/m Paket / Package : 35 m / 15 kg</p>			<p>17.01.01</p> <p>KIL FİTİL BRUSH</p> <p>Malzeme / Material Polipropilen / Polypropilene Paket / Package : 275 m</p>	
12		<p>01.16.31</p> <p>CAM FİTİLİ GLAZING GASKET</p> <p>Malzeme / Material : EPDM Ağırlık / Weight : 509 gr/m Paket / Package : 30 m / 15 kg</p>			<p>17.01.05</p> <p>KIL FİTİL BRUSH</p> <p>Malzeme / Material Polipropilen / Polypropilene</p>	<p>04.11.09 İÇİN FOR 04.11.09</p> 
13		<p>01.17.08</p> <p>CAM FİTİLİ GLAZING GASKET</p> <p>Malzeme / Material : EPDM Ağırlık / Weight : 45 gr/m Paket / Package : 333 m / 15 kg</p>			<p>17.01.03</p> <p>KIL FİTİL BRUSH</p> <p>Malzeme / Material Polipropilen / Polypropilene</p>	
14		<p>01.18.47</p> <p>STOPER STOP</p> <p>Malzeme / Material : EPDM</p>				
15		<p>01.18.48</p> <p>STOPER STOP</p> <p>Malzeme / Material : EPDM</p>				
16		<p>01.19.54</p> <p>CAM FİTİLİ GLAZING GASKET</p> <p>Malzeme / Material : EPDM Ağırlık / Weight : 28 gr/m Paket / Package : 530 m / 15 kg</p>				
17		<p>01.24.01</p> <p>MT-216 A KENET FİTİLİ CONNECTION GASKET</p> <p>Malzeme / Material : EPDM Ağırlık / Weight : 12 gr/m Paket / Package : 923 m / 12 kg</p>				
18						
19						
20						

	<p><b>04.10.32 A</b> PVC KAPAK (SOL) PVC CAP (LEFT) Malzeme / Material : PVC <small>RS83 V 03 İÇİN FOR RS83 V 03</small></p>			<p><b>04.10.36 A</b> PVC KAPAK (SAĞ) PVC CAP (RIGHT) Malzeme / Material : PVC <small>RS83 V 02-RS83 V 05 İÇİN FOR RS83 V 02-RS83 V 05</small></p>	
	<p><b>04.10.32 B</b> PVC KAPAK (SAĞ) PVC CAP (RIGHT) Malzeme / Material : PVC <small>RS83 V 03 İÇİN FOR RS83 V 03</small></p>			<p><b>04.10.36 B</b> PVC KAPAK (SOL) PVC CAP (LEFT) Malzeme / Material : PVC <small>RS83 V 02-RS83 V 05 İÇİN FOR RS83 V 02-RS83 V 05</small></p>	
	<p><b>04.10.33 A</b> PVC KAPAK (SOL) PVC CAP (LEFT) Malzeme / Material : PVC <small>RS83 V 05-RS83 V 06 İÇİN FOR RS83 V 05-RS83 V 06</small></p>			<p><b>04.11.09</b> ALT-ÜST SEVİYE TAKOZU LOWER-TOP SUPPORT LEVEL Malzeme / Material : PVC</p>	
	<p><b>04.10.33 B</b> PVC KAPAK (SAĞ) PVC CAP (RIGHT) Malzeme / Material : PVC <small>RS83 V 05-RS83 V 06 İÇİN FOR RS83 V 05-RS83 V 06</small></p>				
	<p><b>04.10.34</b> PVC KAPAK PVC CAP Malzeme / Material : PVC</p>				
	<p><b>04.10.35 A</b> PVC KAPAK PVC CAP Malzeme / Material : PVC <small>RS83 V 01-RS83 V 02 İÇİN FOR RS83 V 01-RS83 V 02</small></p>				
	<p><b>04.10.35 B</b> PVC KAPAK (SAĞ) PVC CAP (RIGHT) Malzeme / Material : PVC <small>RS83 V 01-RS83 V 02 İÇİN FOR RS83 V 01-RS83 V 02</small></p>				

11

12

13

14

15



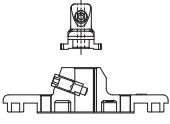
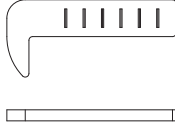

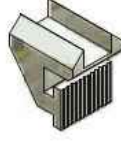
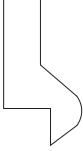
16

17

18

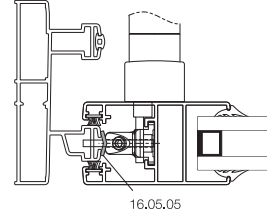
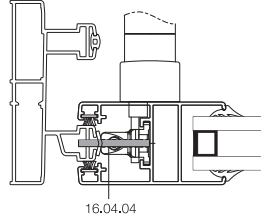
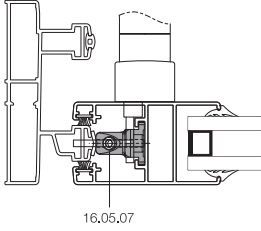
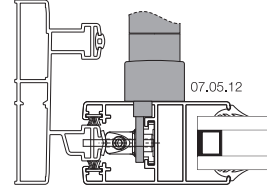
19

20

11	 <p>07.05.12 RESCARA İSPANYOLET KOL (ÇİFT DİLLİ) HANDLE FOR WINDOWS (DOUBLE RAIL) Renk / Color : Siyah - Beyaz - Gri Black - White - Grey</p> <p>EN 1670</p>	 <p>07.10.10 HAVUZLU KİLİT SLIDING LOCK Malzeme / Material : Alüminyum - Zamak Aluminium - Zamak</p> <p>EN 1670, 13126-1</p>
12		
13	 <p>16.05.07 KİLİT ADAPTÖRÜ LOCK ADAPTER</p> <p>07.05.12 Kol için / For handle 07.05.12</p>	 <p>16.04.04 GIESSE SÜRME DİL GIESSE SLIDING BOLT</p> <p>07.05.12 Kol için / For handle 07.05.12</p>
14	 <p>16.05.02 SÜRME KİLİT KARŞILIĞI STRIKER FOR SLIDING LOCK</p> <p>07.05.12 Kol için / For handle 07.05.12</p>	 <p>07.11.03 KOL ÜSTÜ KARŞILIK STRIKER FOR HANDLE</p> <p>07.10.10 Sürme kilit için / For handle 07.10.10</p>
15		
16	 <p>16.05.06 SÜRME KİLİT KARŞILIĞI STRIKER FOR SLIDING LOCK</p> <p>07.10.10 Sürme kilit için / For handle 07.10.10</p>	
17		
18		
19		
20		

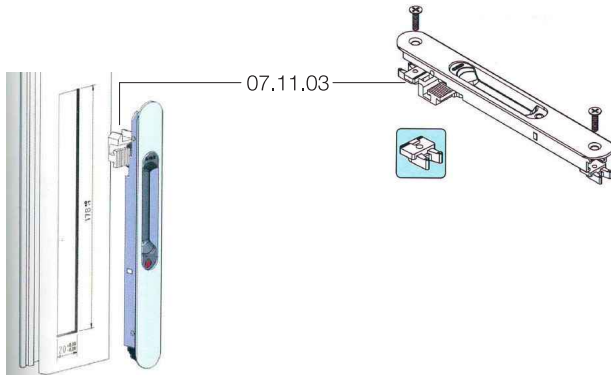
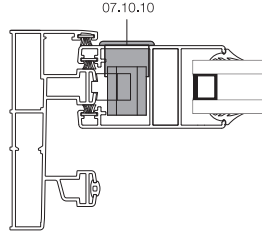
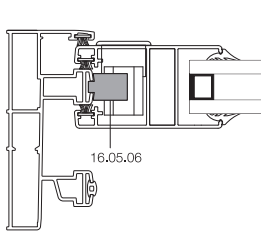
07.05.12 KOL İLE KİLİTLEME SEÇİM TABLOSU  
LOCKING KIT SELECTION TABLE WITH HANDLE 07.05.12

KOD CODE	TANIM DESCRIPTION	ADET NUMBER	KANAT VENT
07.05.12	ÇİFT DİLLİ İSPANYOLET KOL DOUBLE RAIL HANDLE	1	RS83 V 03
16.05.07	KİLİT ADAPTÖRÜ LOCK ADAPTER	1	
16.04.04	SÜRME DİL SLIDING BOLT	1	
16.05.02	SÜRME KİLİT KARŞILIĞI STRIKER FOR SLIDING LOCK	1	


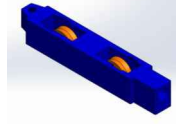



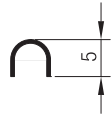



07.10.10 KOL İLE KİLİTLEME SEÇİM TABLOSU  
LOCKING KIT SELECTION TABLE WITH HANDLE 07.10.10

KOD CODE	TANIM DESCRIPTION	ADET NUMBER	KANAT VENT
07.10.10	HAVUZLU KİLİT SLIDING LOCK	1	RS83 V 01 RS83 V 02
16.05.06	SÜRME KİLİT KARŞILIĞI STRIKER FOR SLIDING LOCK	1	
07.11.03	KOL ÜSTÜ KARŞILIK STRIKER FOR HANDLE	1	



07.10.10

11	 <p><b>16.02.02</b> GIESSE AYARLI ÇİFTLİ RULMAN GIESSE ADJUSTABLE CARRERA 2 PULLEYS Malzeme / Material : Polyamid - Zamak Polyamide - Zamak</p> <p>2 Adet 180 kg. taşı. / 180 kg with 2 pulleys <b>EN 13126-15 : 2008</b></p>	 <p><b>16.01.02</b> AYARLI ÇİFTLİ RULMAN ADJUSTABLE PULLEYS</p> <p>2 Adet 65 kg taşı. /65 kg with 2 pulleys Max. kanat ölçüsü 1000x2100 / Max. vent dimension 1000x2100</p>
12		
13	 <p><b>16.01.01</b> AYARLI TEKLİ RULMAN PULLEY WITH SINGLE WHEEL</p> <p>2 Adet 35 kg. taşı. / 35 kg with 2 pulleys Max. kanat ölçüsü 600x1500 / Max. vent dimension 600x1500</p>	 <p><b>16.01.12</b> METAL TEKERLEKLİ AYARLI RULMAN STEEL ADJUSTABLE PULLEYS</p> <p>2 Adet 65 kg taşı. /65 kg with 2 pulleys Max. kanat ölçüsü 1000x2100 / Max. vent dimension 1000x2100</p>
14	 <p><b>16.01.13</b> METAL TEKERLEKLİ AYARLI RULMAN PULLEY WITH SINGLE WHEEL</p> <p>2 Adet 35 kg. taşı. / 35 kg with 2 pulleys Max. kanat ölçüsü 600x1500 / Max. vent dimension 600x1500</p>	 <p><b>16.06.06</b> ÇELİK RAY STEEL RAIL Malzeme / Material : Paslanmaz Çelik Stainless Steel</p>
15		
16	 <p><b>21.01.08</b> PUNCH MAKİNESİ PUNCH MACHINE Pnömatik</p>	
17		
18		
19		
20		



# MİMARİ KATALOG

## ARCHITECTURAL CATALOGUE

Alüminyum Kapı Pencere ve Giydirme Cephe Sistemleri  
Aluminium Window Doors and Facade Systems



Rescara Sistem Detayları  
Rescara System Details

# RS83

İMALAT DETAYLARI

FABRICATION DETAILS

11

12

13

14

15

16

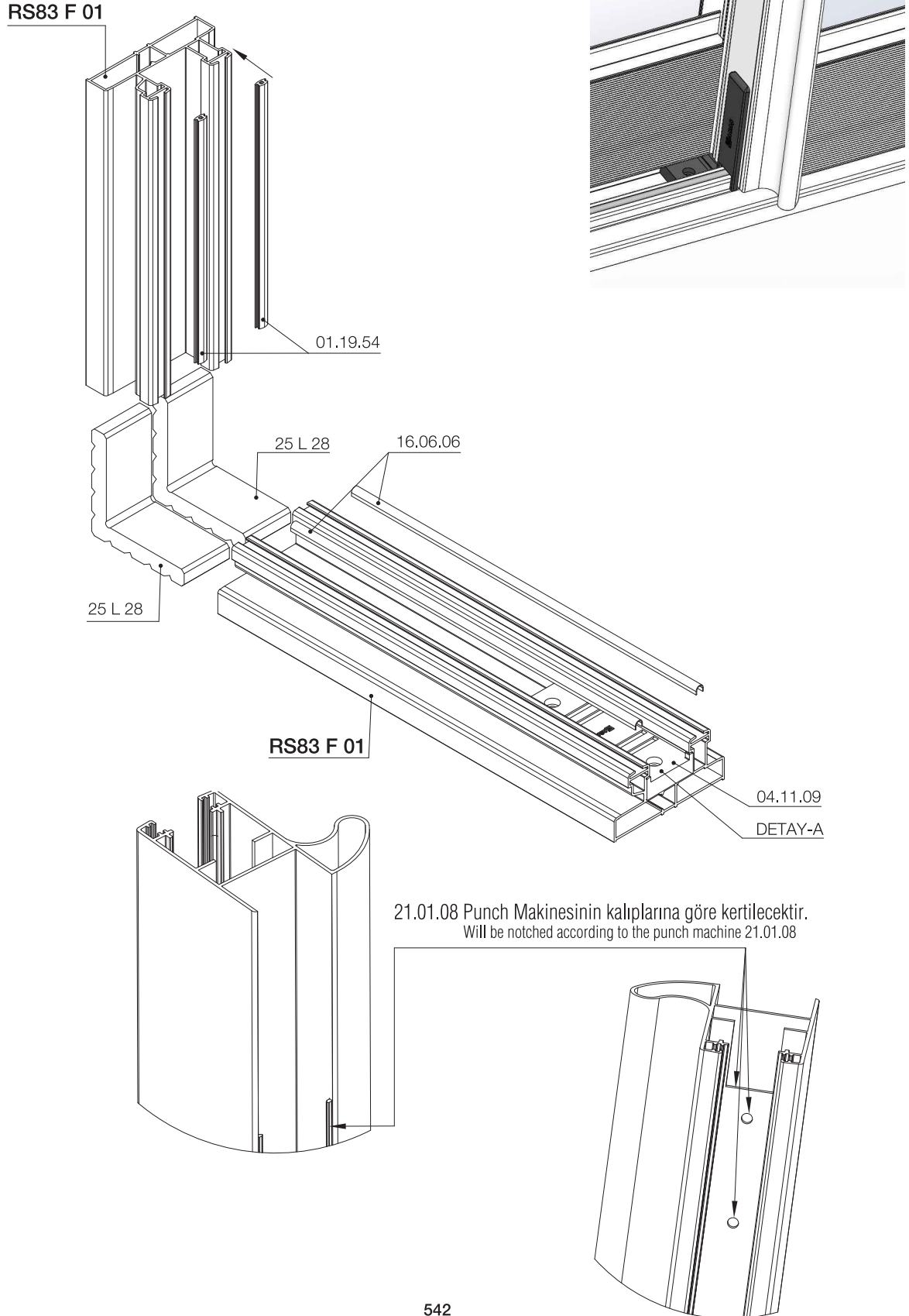
17

18

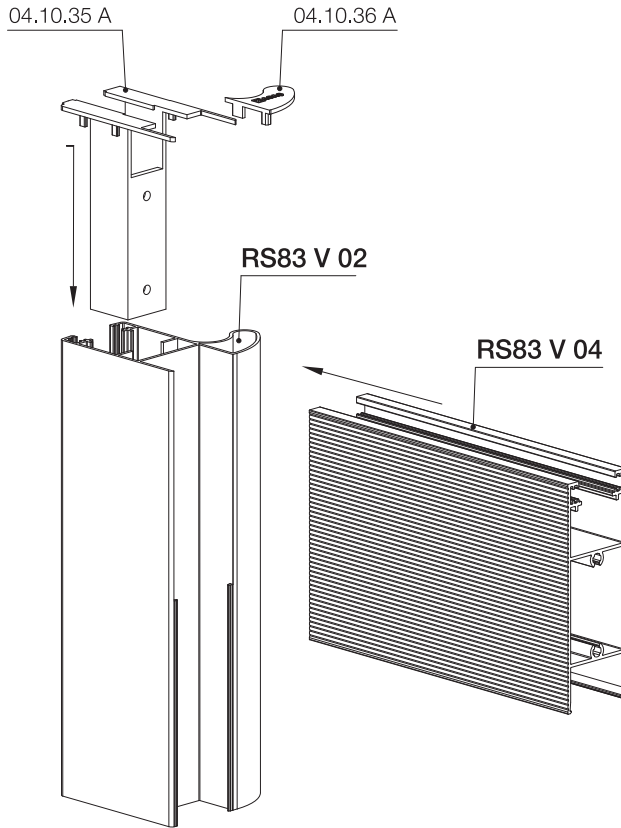
19

20

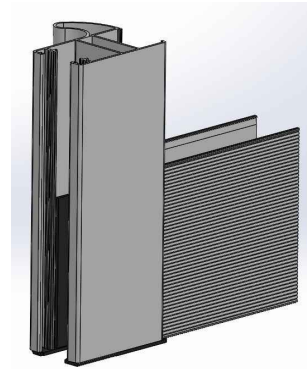
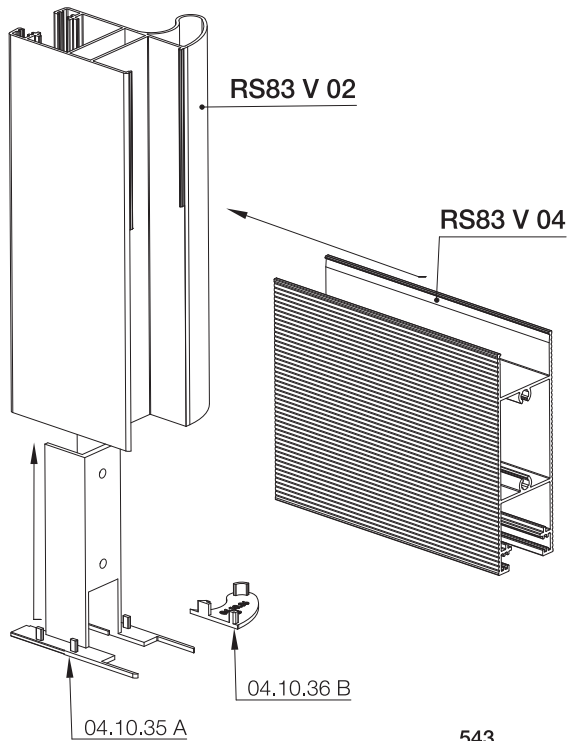
(1) KASA KÖŞE BAĞLANTI DETAYI  
FRAME CORNER DETAIL



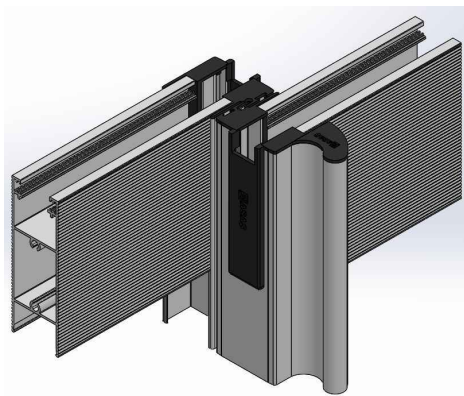
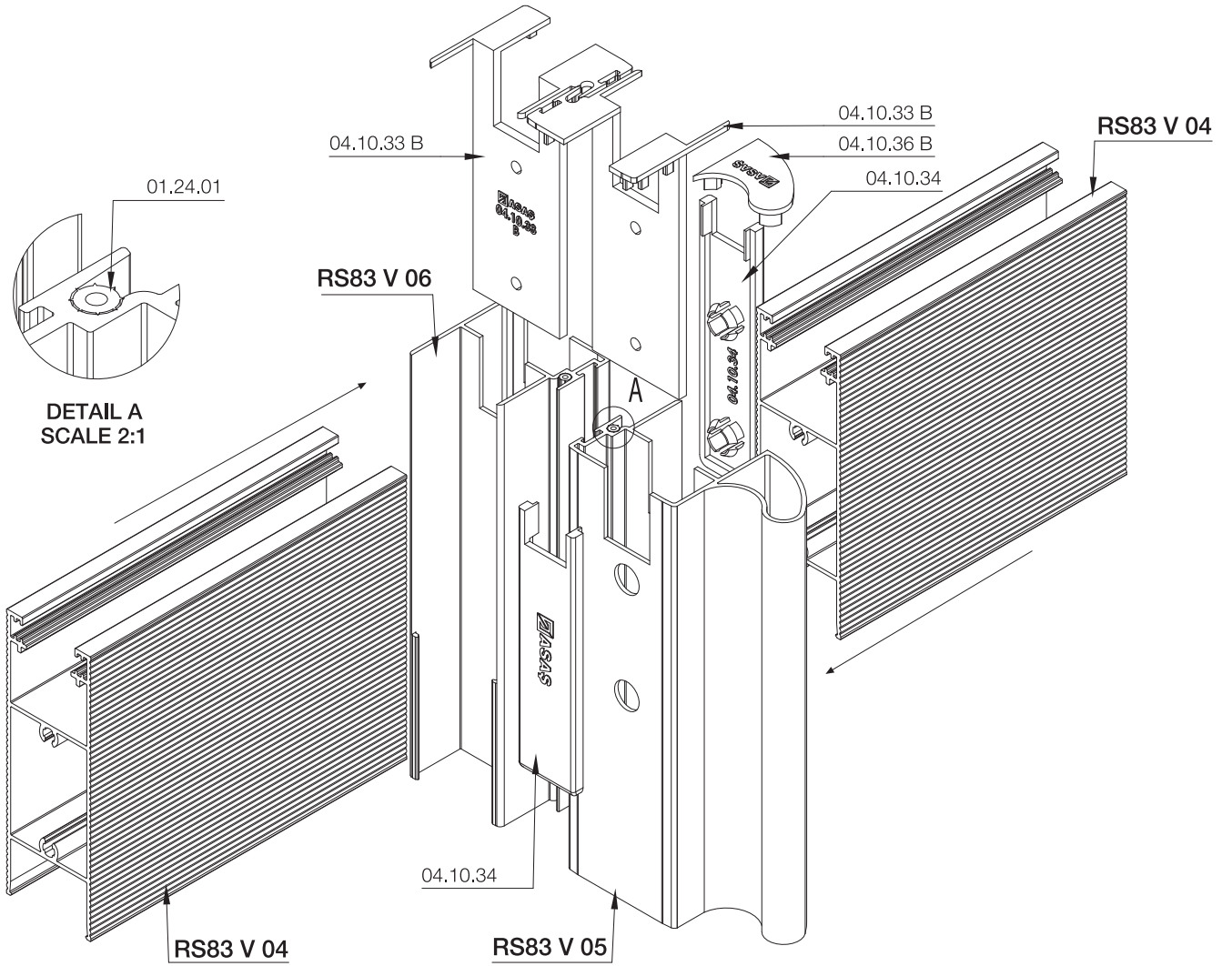
(2) DÜŞEY - YATAY KANAT BAĞLANTI DETAYI (ÜST)  
VERTICAL & HORIZONTAL VENT CONNECTION DETAIL (UPPER)



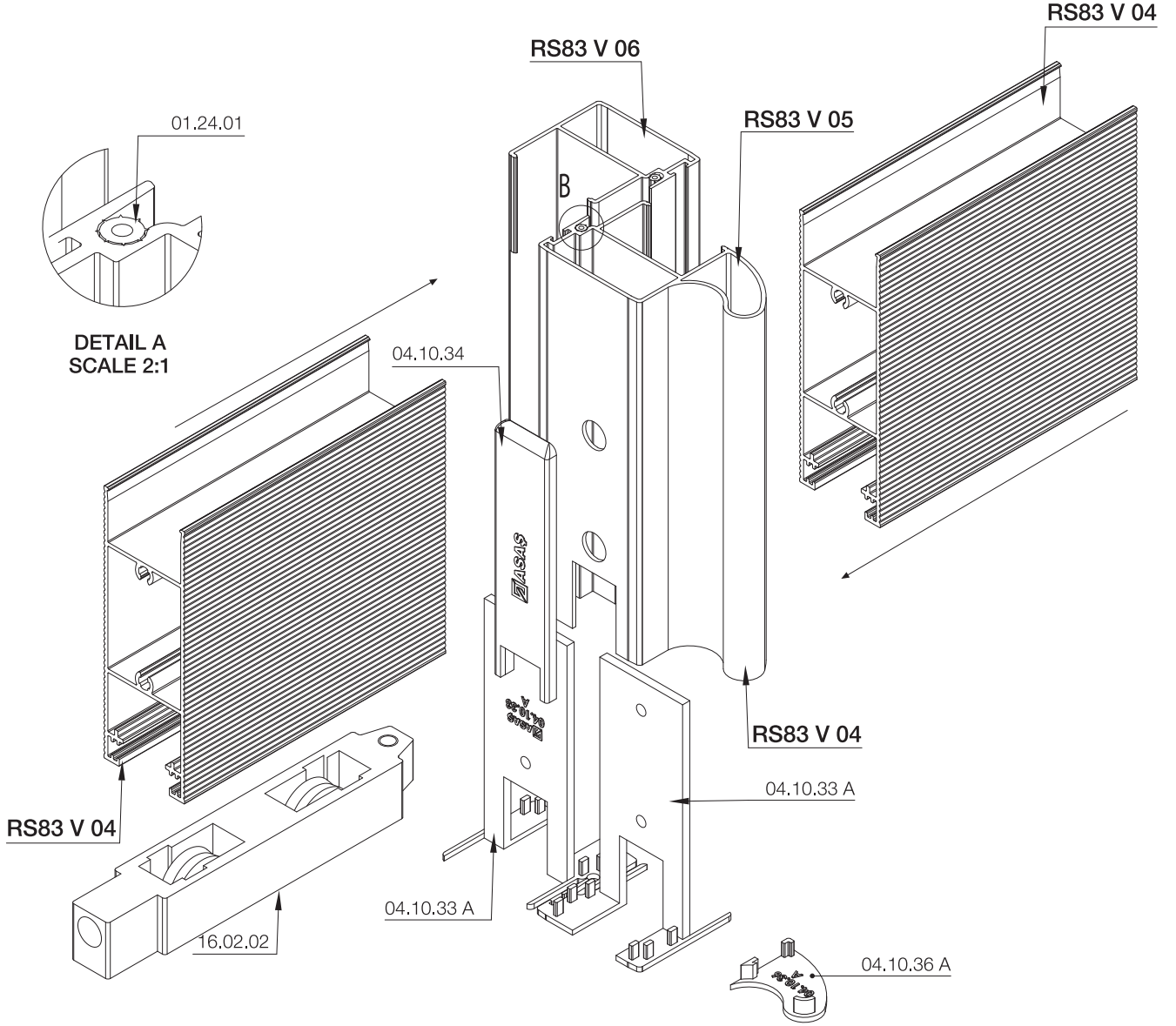
(3) DÜŞEY - YATAY KANAT BAĞLANTI DETAYI (ALT)  
VERTICAL & HORIZONTAL VENT CONNECTION DETAIL (BOTTOM)



(3) ORTA KAYIT BAĞLANTI DETAYI (ÜST)  
MULLION CONNECTION DETAIL (UPPER)



(4) ORTA KAYIT BAĞLANTI DETAYI (ALT)  
MULLION CONNECTION DETAIL (BOTTOM)



11

12

13

14

15

16

17

18

19

20

